

**MISCELLANEOUS INFORMATION**

PERIMETER:	104'
SURFACE AREA:	689 SQ FT
VOLUME:	20698 IMP GALS 94176 LITER

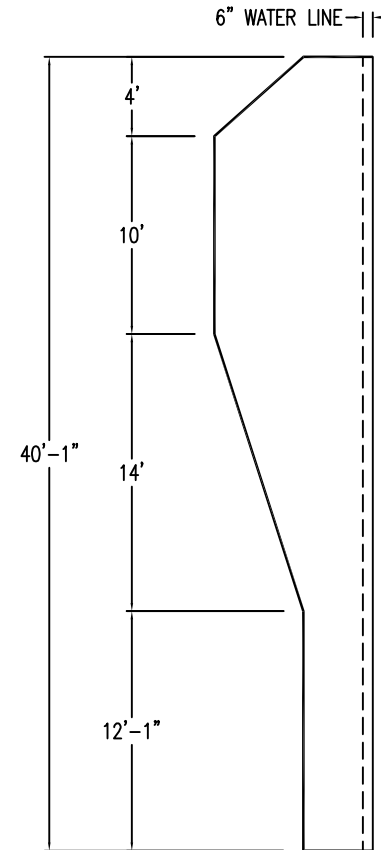
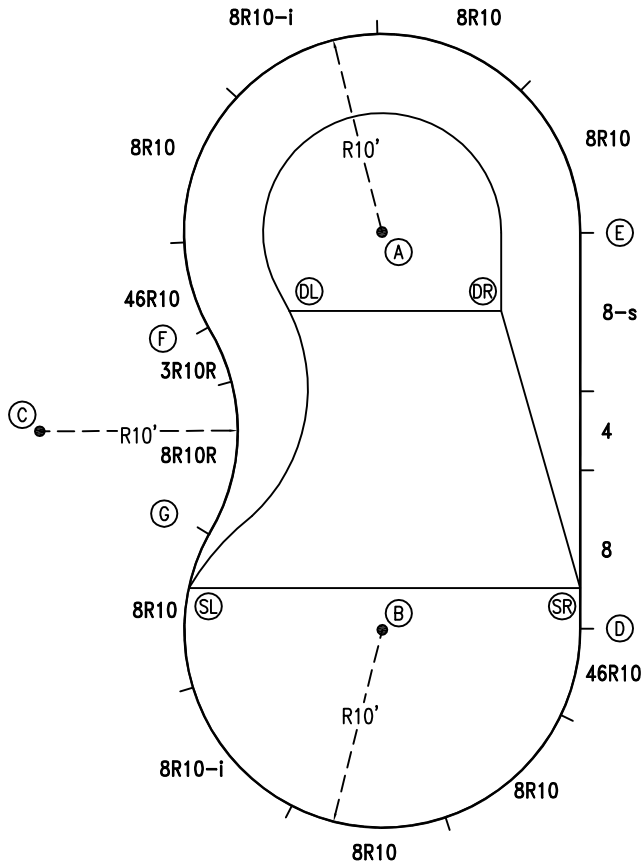
**CONCRETE DECK INFO**

WIDTH	AREA	NET INCREASES FOR:			
		STEPS	DIVING	SLIDE	ROLLER
2'	221	13	27	24	10
2'6"	280	17	31	20	10
3'	341	20	36	16	10

All Figures Represent "Sq Ft"

**PARTS LIST**

CODE	QTY	DESCRIPTION
8R10	6	8' Plain x 10' Radius
8R10-i	2	8' Return x 10' Radius
46R10	2	4'6" Plain x 10' Radius
8	1	8' Plain
4	1	4' Plain
8-s	1	8' Skimmer
3R10R	1	3' Plain x 10' Reverse Radius
8R10R	1	8' Plain x 10' Reverse Radius
AF	15	A-Frame
S	30	Stakes
NB	90	Nuts & Bolts

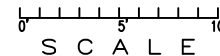


**INSTALLATION DATA**

From Point "A" to:-		From Point "B" to:-	
B	20'-1"	B	20'-0"
C	20'-0"	C	20'-0"
D	22'-4 3/4"	D	10'-0"
E	10'-0"	E	22'-4 3/4"
F	10'-0"	F	17'-7 1/2"
G	17'-7"	G	10'-0"
SL	20'-5 1/2"	SL	10'-0"
SR	20'-7"	SR	10'-2 1/2"
DL	6'-1 3/4"	DL	16'-9 1/4"
DR	7'-2 1/2"	DR	17'-2"

20'-0 1/2"

\*ALL DIMENSIONS ARE FINISHED



**NOTICE**

SWIMMING POOLS AND ACCESSORIES (INCLUDING DIVING BOARDS) ARE DANGEROUS WHEN IMPROPERLY USED OR INSTALLED. IT IS THE RESPONSIBILITY OF MUNICIPAL OFFICIALS, BUILDERS AND POOL OWNERS TO ADHERE TO ALL SAFETY RECOMMENDATIONS AND STANDARDS ISSUED BY THE POOL & HOT TUB COUNCIL, LOCAL AUTHORITIES AND EQUIPMENT MANUFACTURERS. PLEASE REFER TO DIVING BOARD MANUFACTURERS FOR CORRECT POSITIONING AND INSTALLATION OF DIVING EQUIPMENT.

**HIGHBURY POOLS LTD**

STRAIGHT-BACK CRESCENT - LEFT 20 x 40

DRAWING REFERENCE #  
15A-20-40-1

DRAWN BY: JK  
REV. 28 AUG 13  
SHEET 1 OF 2

