

MISCELLANEOUS INFORMATION

PERIMETER:	96'2"
SURFACE AREA:	633 SQ FT
VOLUME:	17182 IMP GALS 78178 LITER

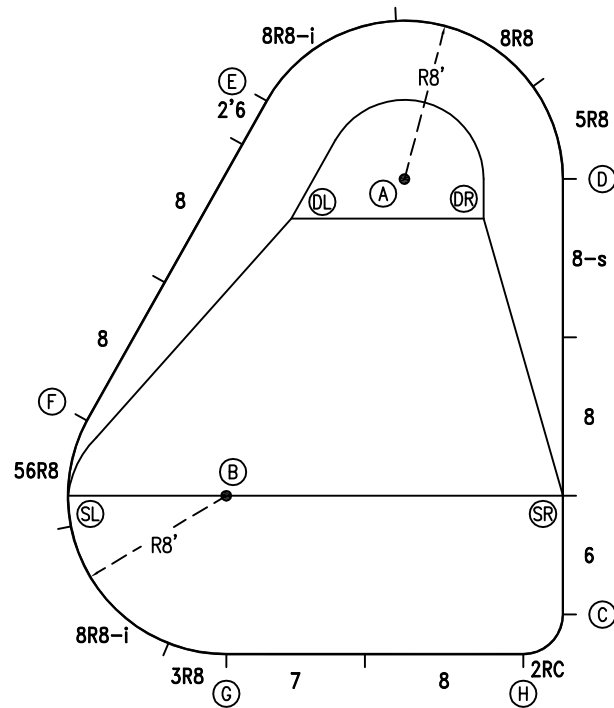
CONCRETE DECK INFO

WIDTH	AREA	NET INCREASES FOR:			
		STEPS	DIVING	SLIDE	ROLLER
2'	205	13	27	24	10
2'6"	260	17	31	20	10
3'	317	20	36	16	10

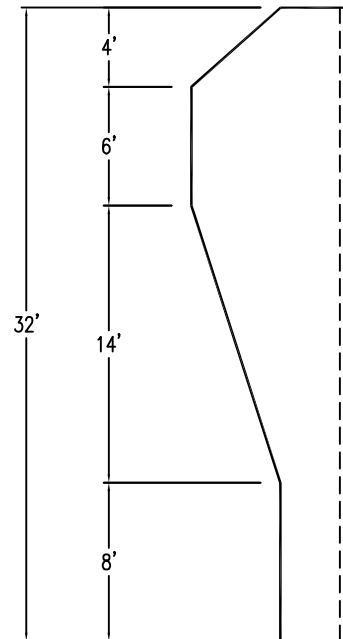
All Figures Represent "Sq Ft"

PARTS LIST

CODE	QTY	DESCRIPTION
3R8	1	3' Plain x 8' Radius
8R8-i	2	8' Return x 8' Radius
56R8	1	5'6" Plain x 8' Radius
8	4	8' Plain
2'6	1	2'6" Plain
8R8	1	8' Plain x 8' Radius
5R8	1	5' Plain x 8' Radius
8-s	1	8' Skimmer
6	1	6' Plain
2RC	1	3'2" Plain x 2' Rad Cnr
7	1	7' Plain
AF	15	A-Frame
S	30	Stakes
NB	90	Nuts & Bolts



6" WATER LINE



INSTALLATION DATA

From Point "A" to:-		From Point "B" to:-	
B	18'-4 1/4"	B	18'-0 1/4"
C	23'-4 3/4"	C	18'-0 1/4"
D	8'-0"	D	23'-4"
E	8'-0"	E	20'-0 1/2"
F	20'-1 3/4"	F	8'-0"
G	25'-7 1/2"	G	8'-0"
H	24'-8 3/4"	H	17'-0"
SL	23'-4"	SL	8'-0"
SR	17'-10 1/2"	SR	17'-0"
DL	6'-0 1/2"	DL	14'-4 1/2"
DR	4'-5 1/2"	DR	19'-1 1/4"

25'

*ALL DIMENSIONS ARE FINISHED

0 5 10'
SCALE

NOTICE

SWIMMING POOLS AND ACCESSORIES (INCLUDING DIVING BOARDS) ARE DANGEROUS WHEN IMPROPERLY USED OR INSTALLED. IT IS THE RESPONSIBILITY OF MUNICIPAL OFFICIALS, BUILDERS AND POOL OWNERS TO ADHERE TO ALL SAFETY RECOMMENDATIONS AND STANDARDS ISSUED BY THE POOL & HOT TUB COUNCIL, LOCAL AUTHORITIES AND EQUIPMENT MANUFACTURERS. PLEASE REFER TO DIVING BOARD MANUFACTURERS FOR CORRECT POSITIONING AND INSTALLATION OF DIVING EQUIPMENT.

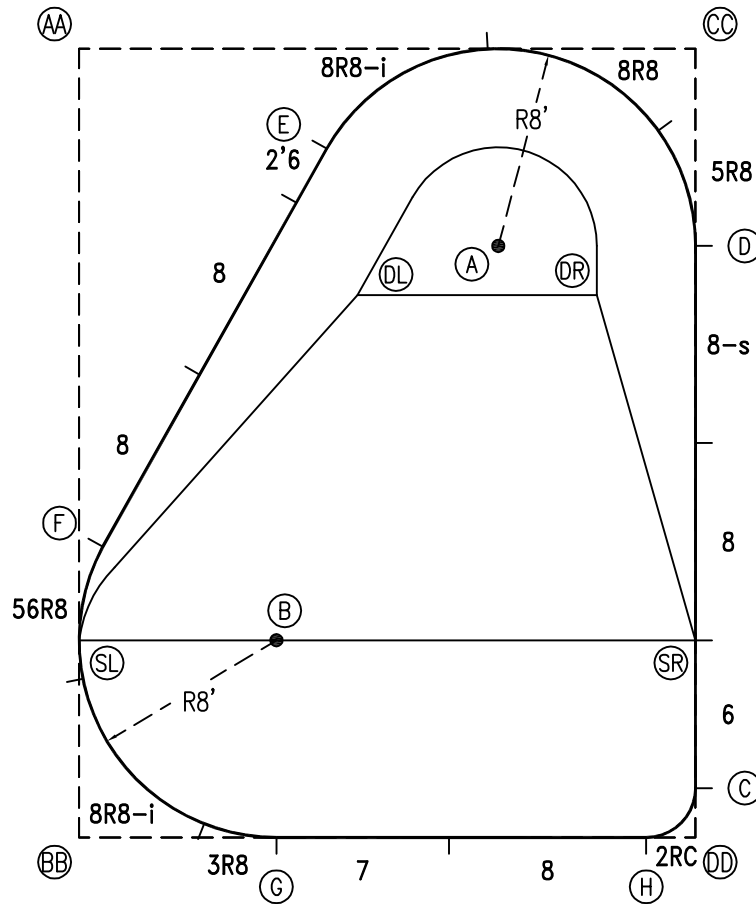
HIGHBURY POOLS LTD

TAHITI - LEFT 16 x 25 x 32

DRAWING REFERENCE #
88-16-32-1

DRAWN BY: JK
REV. 8 AUG 13
SHEET 1 OF 2

PERIMETER: 96'2"



EXTERNAL INSTALLATION DATA

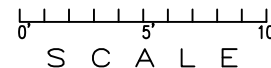
AA TO:	BB TO:	CC TO:	DD TO:
AA ---	AA 32'-0"	AA 25'-0"	AA 40'-7 1/4"
BB ---	BB ---	BB 40'-7 1/4"	BB 25'-0"
CC ---	CC ---	CC ---	CC 32'-0"
A 18'-9 1/2"	A 29'-4 3/4"	A 11'-3 3/4"	A 25'-3 1/2"
B 25'-3 1/2"	B 11'-3 3/4"	B 29'-4 3/4"	B 18'-9 1/2"
C 39'-0 1/2"	C 25'-0 3/4"	C 30'-0"	C 2'-0"
D 26'-2 3/4"	D 34'-7 3/4"	D 8'-0"	D 24'-0"
E 10'-9 3/4"	E 29'-8 1/4"	E 15'-5 3/4"	E 31'-8 1/4"
F 20'-2 1/2"	F 11'-10"	F 31'-4 3/4"	F 26'-9 1/4"
G 32'-11 3/4"	G 8'-0"	G 36'-2 3/4"	G 17'-0"
H 39'-4 3/4"	H 23'-0"	H 32'-0 3/4"	H 2'-0"
SL 24'-0"	SL 8'-0"	SL 34'-7 3/4"	SL 26'-2 3/4"
SR 34'-7 3/4"	SR 26'-2 3/4"	SR 24'-0"	SR 8'-0"
DL 15'-0 3/4"	DL 24'-8 3/4"	DL 16'-11 1/2"	DL 25'-11"
DR 23'-3"	DR 30'-4 3/4"	DR 10'-9 1/4"	DR 22'-4 1/4"

DIAGONALS

From Point "C" to:-		From Point "D" to:-	
D	22'-0"	D	
E	29'-11 3/8"	E	15'-5 5/8"
F	25'-11 1/2"	F	26'-11 1/2"
G	17'-1 3/8"	G	29'-4 7/8"
H	2'-9 7/8"	H	24'-0 7/8"

NOTICE

SWIMMING POOLS AND ACCESSORIES (INCLUDING DIVING BOARDS) ARE DANGEROUS WHEN IMPROPERLY USED OR INSTALLED. IT IS THE RESPONSIBILITY OF MUNICIPAL OFFICIALS, BUILDERS AND POOL OWNERS TO ADHERE TO ALL SAFETY RECOMMENDATIONS AND STANDARDS ISSUED BY THE POOL & HOT TUB COUNCIL, LOCAL AUTHORITIES AND EQUIPMENT MANUFACTURERS. PLEASE REFER TO DIVING BOARD MANUFACTURERS FOR CORRECT POSITIONING AND INSTALLATION OF DIVING EQUIPMENT.



HIGHBURY POOLS LTD

TAHITI - LEFT 16 x 25 x 32

DRAWING REFERENCE #
88-16-32-1

DRAWN BY: JK
REV. 8 AUG 13
SHEET 2 OF 2