

**MISCELLANEOUS INFORMATION**

PERIMETER:	105'2"
SURFACE AREA:	732 SQ FT
VOLUME:	19489 IMP GALS 88675 LITER

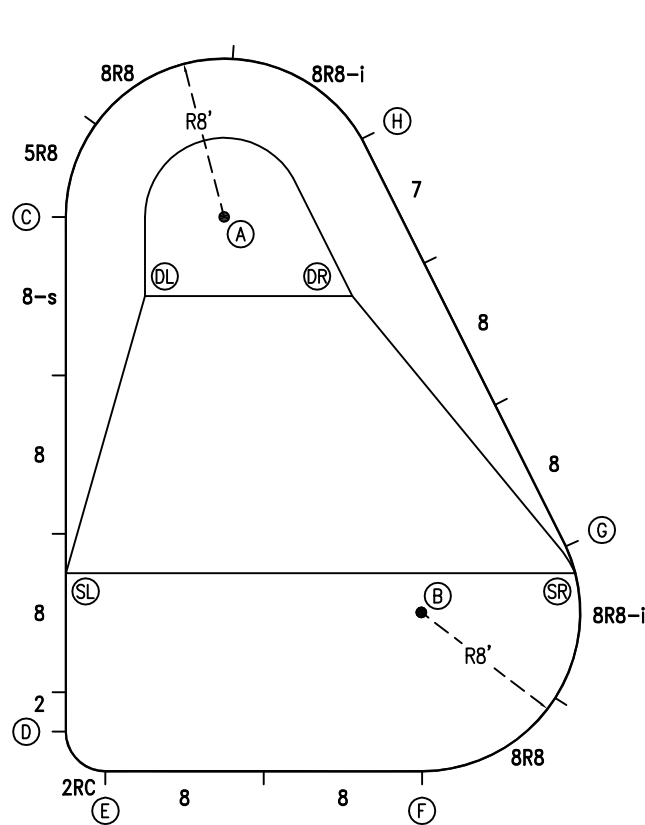
**CONCRETE DECK INFO**

WIDTH	AREA	NET INCREASES FOR:			
		STEPS	DIVING	SLIDE	ROLLER
2'	223	13	27	24	10
2'6"	283	17	31	20	10
3'	344	20	36	16	10

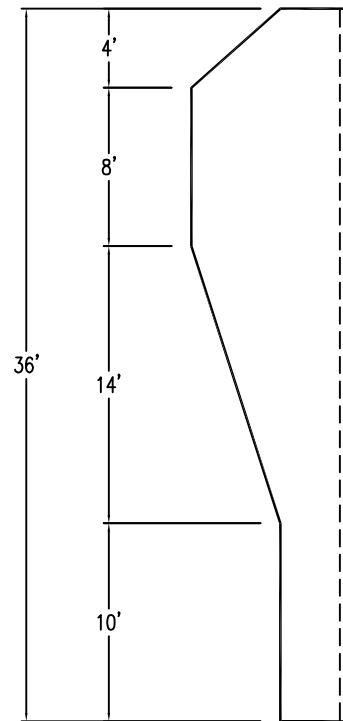
All Figures Represent "Sq Ft"

**PARTS LIST**

CODE	QTY	DESCRIPTION
8R8-i	2	8' Return x 8' Radius
8R8	2	8' Plain x 8' Radius
5R8	1	5' Plain x 8' Radius
8-s	1	8' Skimmer
8	6	8' Plain
2	1	2' Plain
2RC	1	3'2" Plain x 2' Rad Cnr
7	1	7' Plain
AF	15	A-Frame
S	30	Stakes
NB	90	Nuts & Bolts



6" WATER LINE



**INSTALLATION DATA**

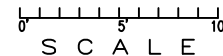
From Point "A" to:-		From Point "B" to:-	
B	22'-3 3/4"	B	26'-10 1/4"
C	8'-0"	C	26'-10 1/4"
D	27'-2 1/4"	D	18'-11 1/4"
E	28'-7 1/2"	E	17'-10 1/4"
F	29'-8 3/4"	F	8'-0 1/4"
G	23'-11 3/4"	G	8'-0 1/4"
H	8'-0"	H	24'-1 1/4"
SL	19'-8 1/4"	SL	18'-0 3/4"
SR	25'-3 1/4"	SR	8'-0 1/4"
DL	5'-7 3/4"	DL	21'-2 1/2"
DR	7'-7 1/4"	DR	16'-4 1/4"

**NOTICE**

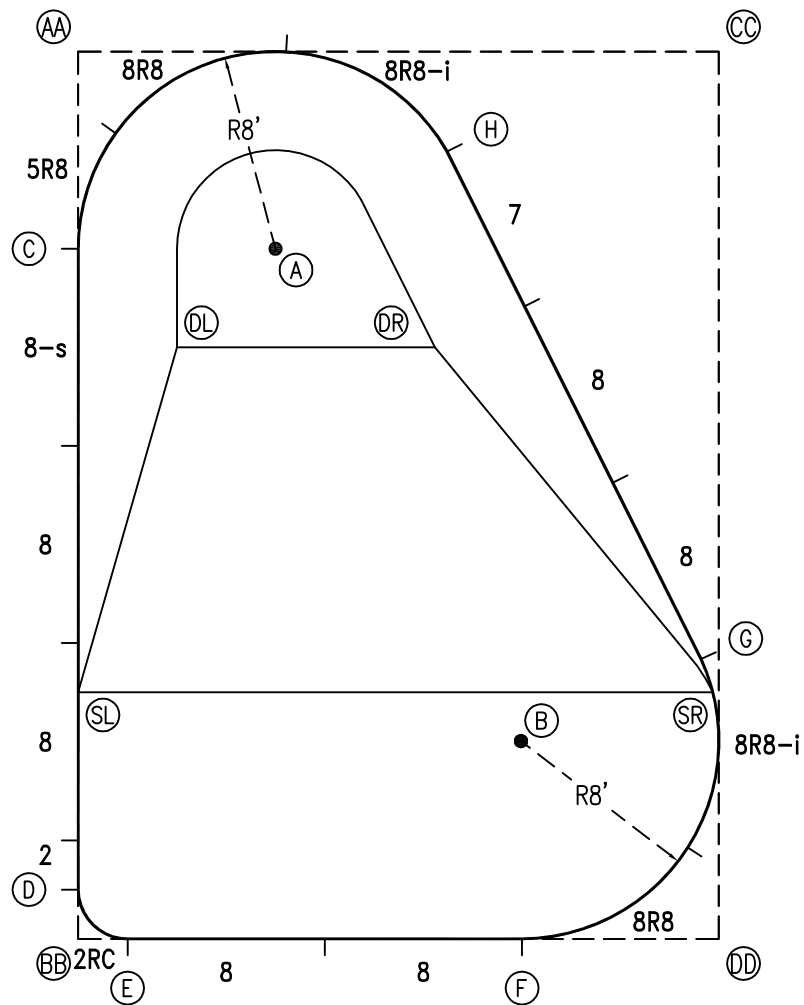
SWIMMING POOLS AND ACCESSORIES (INCLUDING DIVING BOARDS) ARE DANGEROUS WHEN IMPROPERLY USED OR INSTALLED. IT IS THE RESPONSIBILITY OF MUNICIPAL OFFICIALS, BUILDERS AND POOL OWNERS TO ADHERE TO ALL SAFETY RECOMMENDATIONS AND STANDARDS ISSUED BY THE POOL & HOT TUB COUNCIL, LOCAL AUTHORITIES AND EQUIPMENT MANUFACTURERS. PLEASE REFER TO DIVING BOARD MANUFACTURERS FOR CORRECT POSITIONING AND INSTALLATION OF DIVING EQUIPMENT.

26'

\*ALL DIMENSIONS ARE FINISHED



PERIMETER: 105'2"



EXTERNAL INSTALLATION DATA

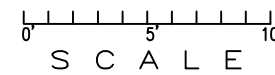
AA TO:	BB TO:	CC TO:	DD TO:
AA --	AA 36'-0"	AA 25'-11 3/4"	AA 44'-4 3/4"
BB --	BB --	BB 44'-4 3/4"	BB 25'-11 3/4"
CC --	CC --	CC --	CC 36'-0"
A 11'-3 3/4"	A 29'-1 1/2"	A 19'-8 1/4"	A 33'-3 1/4"
B 33'-2 3/4"	B 19'-8"	B 29'-1 1/4"	B 11'-4 1/4"
C 8'-0"	C 28'-0"	C 27'-2 1/4"	C 38'-2 1/4"
D 34'-0"	D 2'-0"	D 42'-9 1/2"	D 26'-0 3/4"
E 36'-0 1/2"	E 2'-0"	E 43'-3"	E 23'-11 3/4"
F 40'-2 3/4"	F 18'-0"	F 36'-10 1/2"	F 7'-11 3/4"
G 35'-3 1/2"	G 27'-8 1/4"	G 24'-7 3/4"	G 11'-4 1/2"
H 15'-5 3/4"	H 35'-3 1/4"	H 11'-8 3/4"	H 33'-9 1/2"
SL 26'-0"	SL 10'-0"	SL 36'-9"	SL 27'-10"
SR 36'-7"	SR 27'-7 1/4"	SR 26'-0"	SR 10'-0"
DL 12'-7 3/4"	DL 24'-3 3/4"	DL 25'-0 1/2"	DL 32'-6 1/2"
DR 18'-9 1/2"	DR 28'-0 1/4"	DR 16'-7 1/2"	DR 26'-7 1/2"

DIAGONALS

From Point "C" to:-		From Point "D" to:-	
D	26'-0"	D	
E	28'-0 7/8"	E	2'-9 7/8"
F	33'-3 1/2"	F	18'-1 3/8"
G	30'-3"	G	26'-11 1/4"
H	15'-5 5/8"	H	33'-5 3/4"

NOTICE

SWIMMING POOLS AND ACCESSORIES (INCLUDING DIVING BOARDS) ARE DANGEROUS WHEN IMPROPERLY USED OR INSTALLED. IT IS THE RESPONSIBILITY OF MUNICIPAL OFFICIALS, BUILDERS AND POOL OWNERS TO ADHERE TO ALL SAFETY RECOMMENDATIONS AND STANDARDS ISSUED BY THE POOL & HOT TUB COUNCIL, LOCAL AUTHORITIES AND EQUIPMENT MANUFACTURERS. PLEASE REFER TO DIVING BOARD MANUFACTURERS FOR CORRECT POSITIONING AND INSTALLATION OF DIVING EQUIPMENT.



HIGHBURY POOLS LTD

TAHITI - RIGHT 16 x 26 x 36

DRAWING REFERENCE #  
88-16-36-2

DRAWN BY: JK  
REV. 8 AUG 13  
SHEET 2 OF 2