

MISCELLANEOUS INFORMATION

PERIMETER:-	105'2"
SURFACE AREA:	732.0 SQ FT
VOLUME:	19690 IMP GALS 89593 L

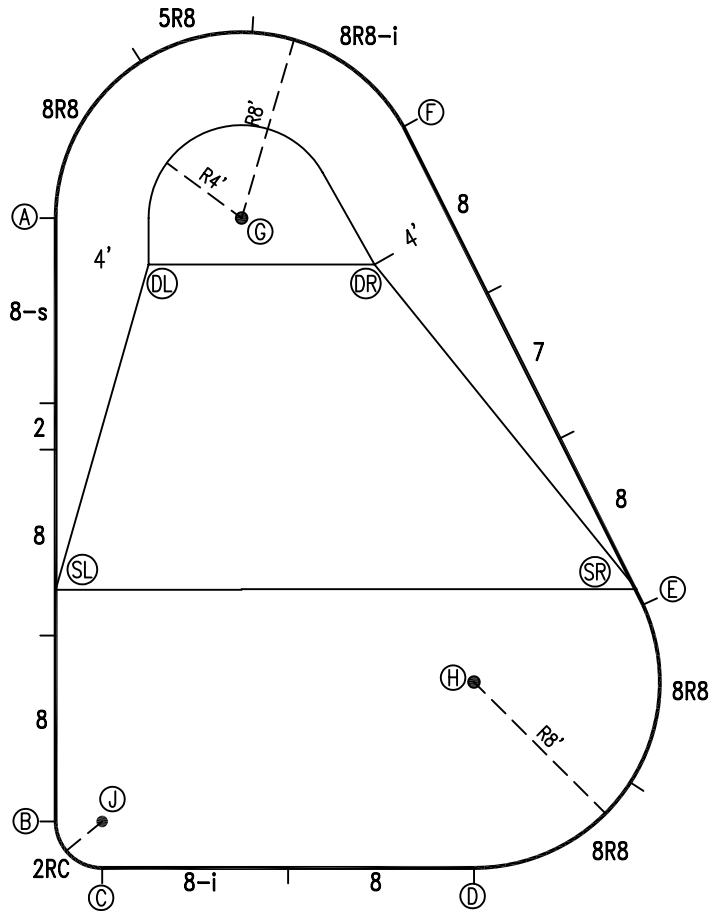
CONCRETE DECK INFO

WIDTH	AREA	NET INCREASES FOR:			
		STEPS	DIVING	SLIDE	ROLLER
2'	223	13	27	24	10
2'6"	283	17	31	20	10
3'	343	20	36	16	10

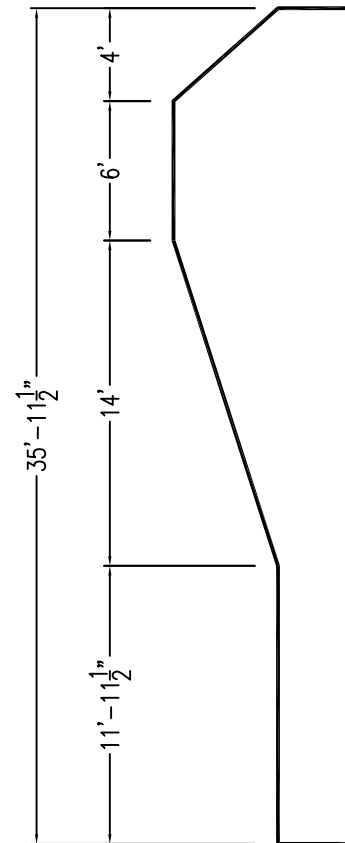
All Figures Represent "Sq Ft"

PARTS LIST

CODE	QTY	DESCRIPTION
8-s	1	8' Skimmer
8-i	1	8' Return
8R8-i	1	8' Return 8' Radius
5R8	1	5' Plain x 8' Radius
8	5	8' Plain
7	1	7' Plain
2	1	2' Plain
8R8	3	8' Plain x 8' Radius
2RC	1	3'2" Plain x 2' Radius Corner
AF	15	A-Frame
S	30	Stake
NB	90	Nuts & Bolts



6" WATER LINE - - -



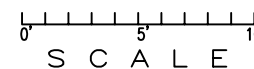
INSTALLATION DATA

From Point "A" to:-		From Point "B" to:-	
B	25'-11 5/8"	B	2'-9 7/8"
C	28'-0 1/2"	C	18'-1 3/8"
D	33'-3 1/8"	D	26'-11 1/4"
E	30'-3 1/8"	E	33'-5 1/4"
F	15'-5 3/4"	F	27'-2 1/8"
G	8'-0"	G	26'-10 5/8"
H	26'-10 5/8"	H	18'-11 5/8"
J	26'-0 1/2"	J	2'-0"
SR	29'-7 3/8"	SR	26'-10 3/8"
SL	16'-0"	SL	9'-11 5/8"
DR	13'-10 3/8"	DR	27'-7 3/8"
DL	4'-5 5/8"	DL	24'-3 5/8"

NOTICE

SWIMMING POOLS AND ACCESSORIES (INCLUDING DIVING BOARDS) ARE DANGEROUS WHEN IMPROPERLY USED OR INSTALLED. IT IS THE RESPONSIBILITY OF MUNICIPAL OFFICIALS, BUILDERS AND POOL OWNERS TO ADHERE TO ALL SAFETY RECOMMENDATIONS AND STANDARDS ISSUED BY THE POOL & HOT TUB COUNCIL, LOCAL AUTHORITIES AND EQUIPMENT MANUFACTURERS. PLEASE REFER TO DIVING BOARD MANUFACTURERS FOR CORRECT POSITIONING AND INSTALLATION OF DIVING EQUIPMENT.

*ALL DIMENSIONS ARE FINISHED



HIGHBURY POOLS LTD

TAHITI - LEFT 26 x 36

DRAWING REFERENCE #
88-26-36-1

DRAWN BY: BC
REV. 09 JAN 2007
SHEET 1 OF 2

