

MISCELLANEOUS INFORMATION

PERIMETER:	82'
SURFACE AREA:	398 SQ FT
VOLUME:	9490 IMP GALS 43180 LITER

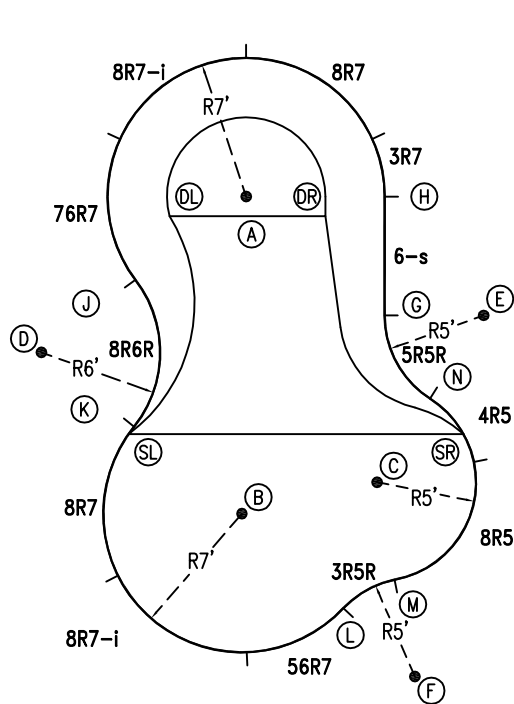
CONCRETE DECK INFO

WIDTH	AREA	NET INCREASES FOR:			
		STEPS	DIVING	SLIDE	ROLLER
2'	176	13	27	24	10
2'6"	224	17	31	20	10
3'	274	20	36	16	10

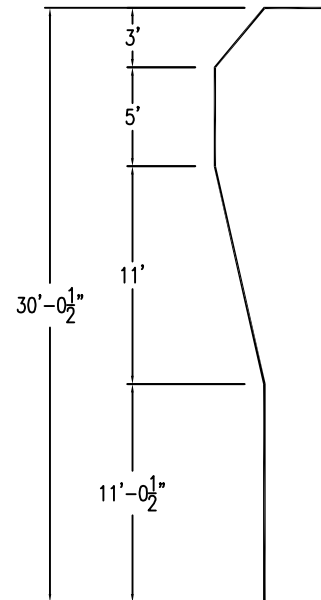
All Figures Represent "Sq Ft"

PARTS LIST

CODE	QTY	DESCRIPTION
5R5R	1	5' Plain x 5' Reverse Radius
6-s	1	6' Skimmer
3R7	1	3' Plain x 7' Radius
8R7	2	8' Plain x 7' Radius
8R7-i	2	8' Return x 7' Radius
76R7	1	7'6" Plain x 7' Radius
8R6R	1	8' Plain x 6' Reverse Radius
56R7	1	5'6" Plain x 7' Radius
3R5R	1	3' Plain x 5' Reverse Radius
8R5	1	8' Plain x 5' Radius
4R5	1	4' Plain x 5' Radius
AF	13	A-Frame
S	26	Stakes
NB	78	Nuts & Bolts



6" WATER LINE



INSTALLATION DATA

From Point "A" to:-		From Point "B" to:-	
B	16'-0 1/4"	B	7'-0"
C	15'-10 1/2"	C	7'-0"
D	13'-0"	D	13'-0"
E	13'-4 3/4"	E	15'-9 1/2"
F	25'-8 1/4"	F	12'-0"
G	9'-2 1/2"	G	12'-4"
H	7'-0"	H	17'-6 3/4"
J	7'-0"	J	12'-11 3/4"
K	12'-11"	K	7'-0"
L	21'-4 1/4"	L	7'-0"
M	20'-9"	M	8'-4 3/4"
N	13'-9 1/2"	N	11'-1 1/2"
SL	13'-4 3/4"	SL	7'-0"
SR	16'-3"	SR	11'-10 3/4"
DL	4'-0"	DL	15'-5 1/2"
DR	4'-1 1/2"	DR	15'-7 1/4"

18'-10"

*ALL DIMENSIONS ARE FINISHED



NOTICE

SWIMMING POOLS AND ACCESSORIES (INCLUDING DIVING BOARDS) ARE DANGEROUS WHEN IMPROPERLY USED OR INSTALLED. IT IS THE RESPONSIBILITY OF MUNICIPAL OFFICIALS, BUILDERS AND POOL OWNERS TO ADHERE TO ALL SAFETY RECOMMENDATIONS AND STANDARDS ISSUED BY THE POOL & HOT TUB COUNCIL, LOCAL AUTHORITIES AND EQUIPMENT MANUFACTURERS. PLEASE REFER TO DIVING BOARD MANUFACTURERS FOR CORRECT POSITIONING AND INSTALLATION OF DIVING EQUIPMENT.

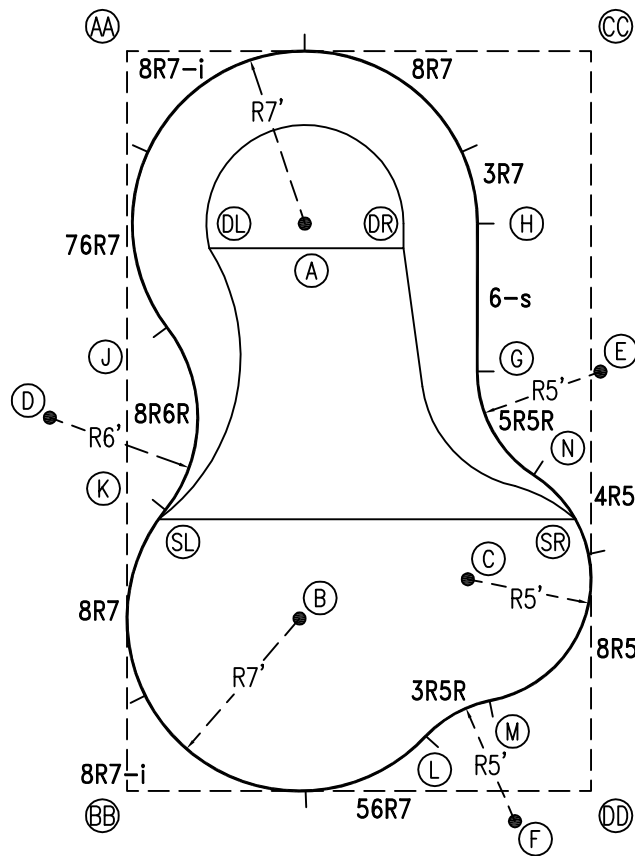
HIGHBURY POOLS LTD

VISTA - LEFT 14 x 19 x 30

DRAWING REFERENCE #
92-14-30-1

DRAWN BY: JK
REV. 28 AUG 13
SHEET 1 OF 2

PERIMETER: 82'



EXTERNAL INSTALLATION DATA

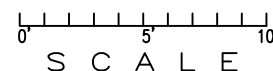
AA TO:	BB TO:	CC TO:	DD TO:
AA ---	AA 30'-0 1/4"	AA 18'-9 3/4"	AA 35'-5 1/4"
BB ---	BB ---	BB 35'-5 1/4"	BB 18'-9 3/4"
CC ---	CC ---	CC ---	CC 30'-0 1/4"
A 10'-0 1/2"	A 24'-1 1/2"	A 13'-6 3/4"	A 25'-9 1/4"
B 24'-0 3/4"	B 9'-10 3/4"	B 25'-10 1/2"	B 13'-8 3/4"
C 25'-6"	C 16'-3 1/4"	C 22'-0"	C 9'-11 1/4"
D 15'-2 1/4"	D 15'-5 1/2"	D 26'-6 1/4"	D 26'-8"
E 23'-2 1/4"	E 25'-7 3/4"	E 13'-0"	E 17'-0 1/4"
F 34'-11 3/4"	F 15'-9 1/4"	F 31'-4 3/4"	F 3'-3 3/4"
G 19'-3"	G 22'-2"	G 13'-9 1/2"	G 17'-7 1/2"
H 15'-10"	H 27'-0 1/2"	H 8'-4 1/2"	H 23'-5 3/4"
J 11'-3 3/4"	J 18'-10 1/2"	J 20'-6 1/4"	J 25'-6"
K 18'-8 1/4"	K 11'-6"	K 25'-4 3/4"	K 20'-8 1/4"
L 30'-3 3/4"	L 12'-3 3/4"	L 28'-7"	L 7'-0 3/4"
M 30'-2"	M 15'-1 3/4"	M 26'-8"	M 5'-6 1/4"
N 23'-10"	N 20'-10 3/4"	N 17'-4 1/4"	N 13'-0 1/4"
SL 19'-0 1/2"	SL 11'-1"	SL 25'-10 1/4"	SL 20'-8 3/4"
SR 26'-3 1/2"	SR 21'-3 1/4"	SR 19'-0"	SR 11'-0 1/2"
DL 8'-8"	DL 22'-3 1/4"	DL 17'-5"	DL 26'-11"
DR 13'-9 1/4"	DR 24'-8 1/2"	DR 11'-0 1/2"	DR 23'-3 1/2"

DIAGONALS

From Point "G" to:-	From Point "H" to:-
H 6'-0"	H
J 12'-8 5/8"	J 13'-3 3/8"
K 13'-10 1/8"	K 17'-2 1/4"
L 14'-11 1/4"	L 20'-10 3/4"
M 13'-4 3/8"	M 19'-4 3/8"
N 4'-9 1/2"	N 10'-5 1/2"

NOTICE

SWIMMING POOLS AND ACCESSORIES (INCLUDING DIVING BOARDS) ARE DANGEROUS WHEN IMPROPERLY USED OR INSTALLED. IT IS THE RESPONSIBILITY OF MUNICIPAL OFFICIALS, BUILDERS AND POOL OWNERS TO ADHERE TO ALL SAFETY RECOMMENDATIONS AND STANDARDS ISSUED BY THE POOL & HOT TUB COUNCIL, LOCAL AUTHORITIES AND EQUIPMENT MANUFACTURERS. PLEASE REFER TO DIVING BOARD MANUFACTURERS FOR CORRECT POSITIONING AND INSTALLATION OF DIVING EQUIPMENT.



HIGHBURY POOLS LTD

VISTA - LEFT 14 x 19 x 30

DRAWING REFERENCE #
92-14-30-1

DRAWN BY: JK
REV. 28 AUG 13
SHEET 2 OF 2