

MISCELLANEOUS INFORMATION

PERIMETER:	87'6"
SURFACE AREA:	481 SQ FT
VOLUME:	14340 IMP GALS 65247 LITER

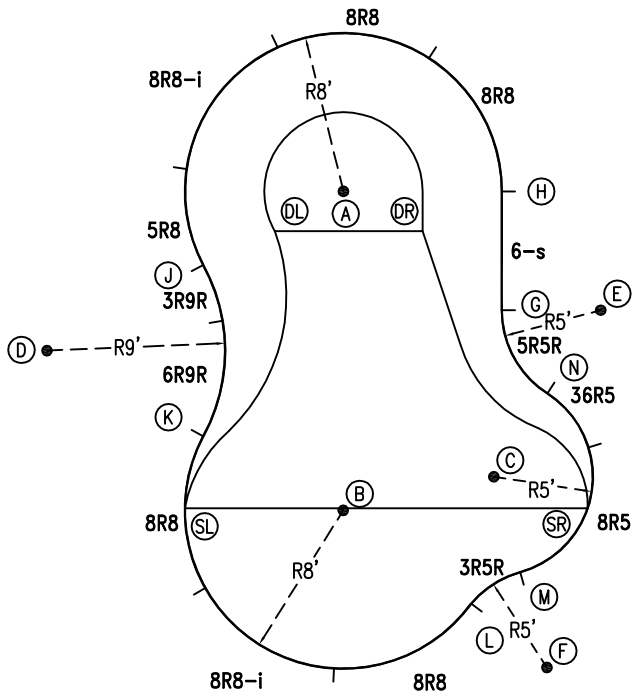
CONCRETE DECK INFO

WIDTH	AREA	NET INCREASES FOR:			
		STEPS	DIVING	SLIDE	ROLLER
2'	187	13	27	24	10
2'6"	238	17	31	20	10
3'	290	20	36	16	10

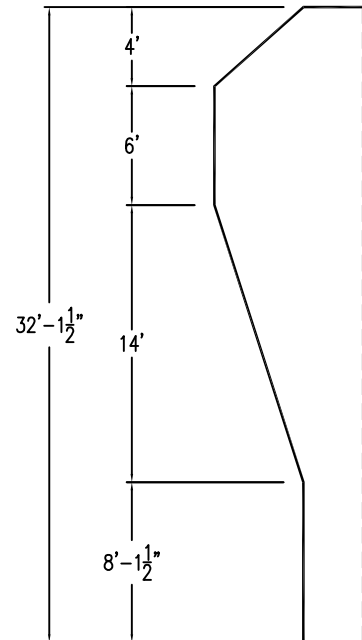
All Figures Represent "Sq Ft"

PARTS LIST

CODE	QTY	DESCRIPTION
5R5R	1	5' Plain x 5' Reverse Radius
6-s	1	6' Skimmer
8R8	4	8' Plain x 8' Radius
8R8-i	2	8' Return x 8' Radius
5R8	1	5' Plain x 8' Radius
3R9R	1	3' Plain x 9' Reverse Radius
6R9R	1	6' Plain x 9' Reverse Radius
3R5R	1	3' Plain x 5' Reverse Radius
8R5	1	8' Plain x 5' Radius
36R5	1	3'6" Plain x 5' Radius
AF	14	A-Frame
S	28	Stakes
NB	84	Nuts & Bolts

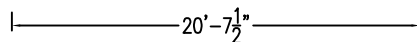


6" WATER LINE



INSTALLATION DATA

From Point "A" to:-		From Point "B" to:-	
B	16'-1 1/4"	B	7'-9 1/2"
C	16'-3 1/2"	C	7'-0"
D	17'-0"	D	17'-0"
E	14'-3 3/4"	E	16'-5 3/4"
F	26'-1 3/4"	F	12'-11 3/4"
G	10'-0"	G	12'-10 3/4"
H	8'-0"	H	17'-11 3/4"
J	8'-0"	J	14'-3 1/4"
K	14'-3"	K	8'-0"
L	21'-9 1/2"	L	8'-0"
M	21'-2 1/2"	M	9'-5 3/4"
N	14'-6"	N	11'-10 1/2"
SL	17'-10 3/4"	SL	8'-0"
SR	20'-2 1/2"	SR	12'-4 1/4"
DL	4'-0"	DL	14'-6 1/4"
DR	4'-5 1/2"	DR	14'-8"



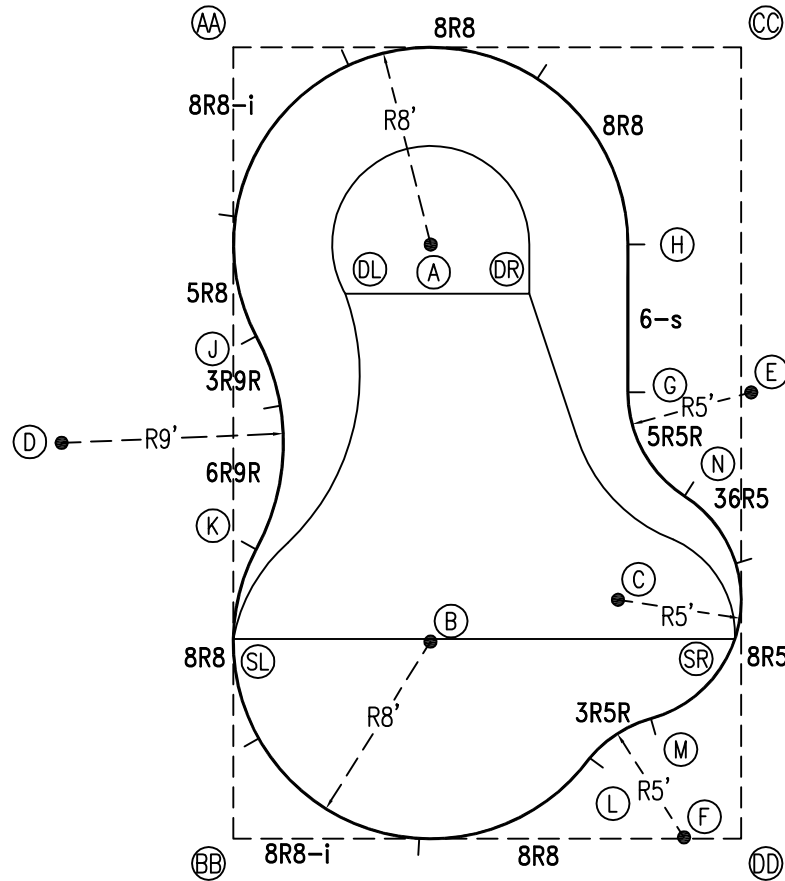
*ALL DIMENSIONS ARE FINISHED



NOTICE

SWIMMING POOLS AND ACCESSORIES (INCLUDING DIVING BOARDS) ARE DANGEROUS WHEN IMPROPERLY USED OR INSTALLED. IT IS THE RESPONSIBILITY OF MUNICIPAL OFFICIALS, BUILDERS AND POOL OWNERS TO ADHERE TO ALL SAFETY RECOMMENDATIONS AND STANDARDS ISSUED BY THE POOL & HOT TUB COUNCIL, LOCAL AUTHORITIES AND EQUIPMENT MANUFACTURERS. PLEASE REFER TO DIVING BOARD MANUFACTURERS FOR CORRECT POSITIONING AND INSTALLATION OF DIVING EQUIPMENT.

PERIMETER: 87'6"



EXTERNAL INSTALLATION DATA

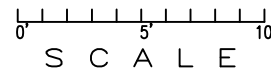
AA TO:	BB TO:	CC TO:	DD TO:
AA --	AA 32'-1 1/4"	AA 20'-7 1/4"	AA 38'-1 3/4"
BB --	BB --	BB 38'-1 3/4"	BB 20'-7 1/4"
CC --	CC --	CC --	CC 32'-1 1/4"
A 11'-3 3/4"	A 25'-4 3/4"	A 14'-11"	A 27'-2 1/4"
B 25'-4 3/4"	B 11'-3 3/4"	B 27'-2 1/2"	B 14'-11"
C 27'-3 3/4"	C 18'-4 1/2"	C 22'-11 1/2"	C 10'-10 3/4"
D 17'-5 3/4"	D 17'-6"	D 31'-10 3/4"	D 31'-10 3/4"
E 25'-2 3/4"	E 27'-8 3/4"	E 14'-0"	E 18'-1 1/4"
F 36'-10 3/4"	F 18'-3 1/4"	F 32'-1 1/2"	F 2'-3 3/4"
G 21'-3 1/4"	G 24'-2"	G 14'-8 3/4"	G 18'-8 1/4"
H 17'-10 3/4"	H 28'-11 1/4"	H 9'-2 3/4"	H 24'-6 1/2"
J 11'-9"	J 20'-4 3/4"	J 22'-10 3/4"	J 28'-4"
K 20'-4 1/2"	K 11'-9 1/4"	K 28'-3 3/4"	K 22'-10 3/4"
L 32'-3"	L 14'-9 3/4"	L 29'-5 3/4"	L 6'-11 1/2"
M 32'-0 3/4"	M 17'-7 1/2"	M 27'-5 3/4"	M 6'-1 1/4"
N 25'-9 3/4"	N 22'-11 3/4"	N 18'-4 1/4"	N 14'-1"
SL 24'-0"	SL 8'-1 1/4"	SL 31'-7 1/2"	SL 22'-1 3/4"
SR 31'-5 1/2"	SR 21'-10 3/4"	SR 24'-0"	SR 8'-1 1/4"
DL 10'-11 3/4"	DL 22'-6 3/4"	DL 18'-11"	DL 27'-3 3/4"
DR 15'-7 1/2"	DR 25'-1 3/4"	DR 13'-2 1/4"	DR 23'-8 1/2"

DIAGONALS

From Point "G" to:-	From Point "H" to:-
H 6'-0"	H
J 15'-3"	J 15'-6 3/8"
K 16'-4 1/2"	K 19'-6"
L 14'-10 7/8"	L 20'-10 5/8"
M 13'-3 1/8"	M 19'-3 1/8"
N 4'-9 1/2"	N 10'-5 1/2"

NOTICE

SWIMMING POOLS AND ACCESSORIES (INCLUDING DIVING BOARDS) ARE DANGEROUS WHEN IMPROPERLY USED OR INSTALLED. IT IS THE RESPONSIBILITY OF MUNICIPAL OFFICIALS, BUILDERS AND POOL OWNERS TO ADHERE TO ALL SAFETY RECOMMENDATIONS AND STANDARDS ISSUED BY THE POOL & HOT TUB COUNCIL, LOCAL AUTHORITIES AND EQUIPMENT MANUFACTURERS. PLEASE REFER TO DIVING BOARD MANUFACTURERS FOR CORRECT POSITIONING AND INSTALLATION OF DIVING EQUIPMENT.



HIGHBURY POOLS LTD

VISTA - LEFT 16 x 21 x 32

DRAWING REFERENCE #
92-16-32-1

DRAWN BY: JK
REV. 28 AUG 13
SHEET 2 OF 2