

MISCELLANEOUS INFORMATION

PERIMETER:	95'
SURFACE AREA:	524 SQ FT
VOLUME:	15599 IMP GALS 70975 LITER

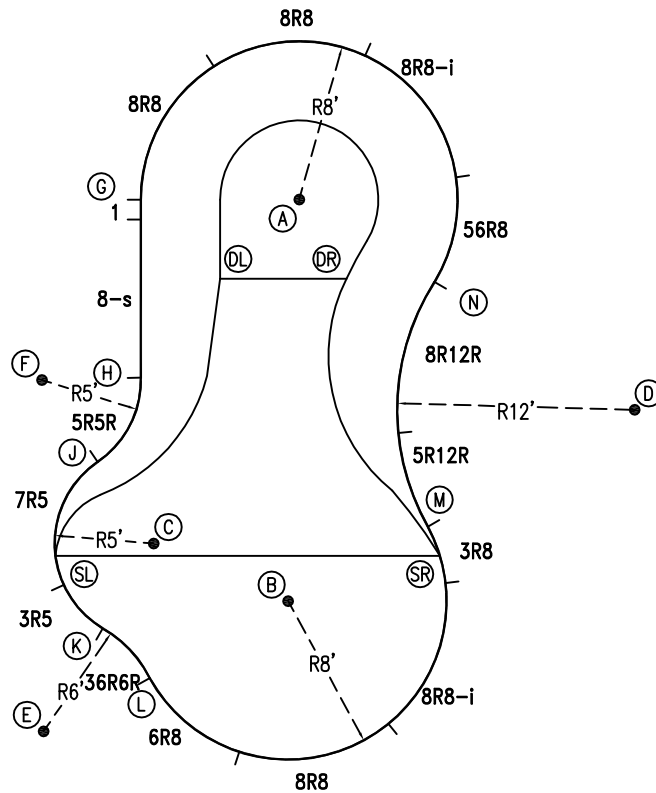
CONCRETE DECK INFO

WIDTH	AREA	NET INCREASES FOR:			
		STEPS	DIVING	SLIDE	ROLLER
2'	202	13	27	24	10
2'6"	257	17	31	20	10
3'	313	20	36	16	10

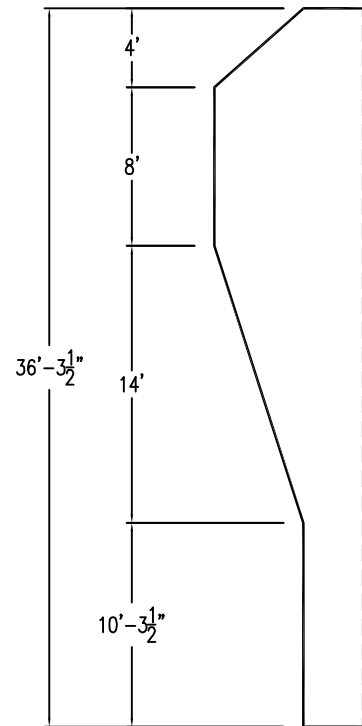
All Figures Represent "Sq Ft"

PARTS LIST

CODE	QTY	DESCRIPTION
5R5R	1	5' Plain x 5' Reverse Radius
8-s	1	8' Skimmer
1	1	1' Plain
8R8	3	8' Plain x 8' Radius
8R8-i	2	8' Return x 8' Radius
56R8	1	5'6" Plain x 8' Radius
8R12R	1	8' Plain x 12' Reverse Radius
5R12R	1	5' Plain x 12' Reverse Radius
3R8	1	3' Plain x 8' Radius
6R8	1	6' Plain x 8' Radius
36R6R	1	3'6" Plain x 6' Reverse Radius
3R5	1	3' Plain x 5' Radius
7R5	1	7' Plain x 5' Radius
AF	16	A-Frame
S	32	Stakes
NB	96	Nuts & Bolts



6" WATER LINE



INSTALLATION DATA

From Point "A" to:-		From Point "B" to:-	
B	20'-3 1/2"	B	7'-4 3/4"
C	18'-10 1/4"	C	20'-0"
D	20'-0"	D	14'-0"
E	29'-9 1/2"	E	16'-8 1/2"
F	15'-10 1/2"	F	21'-7 1/4"
G	8'-0"	G	13'-6 1/4"
H	12'-0 1/2"	H	11'-11"
J	16'-8 1/2"	J	9'-5 1/2"
K	23'-9 3/4"	K	8'-0"
L	25'-3 3/4"	L	17'-8 3/4"
M	17'-9"	M	11'-11 3/4"
N	8'-0"	N	8'-0"
SL	21'-9 3/4"	SL	16'-7 3/4"
SR	19'-4 1/4"	SR	16'-6 1/2"
DL	5'-7 3/4"	DL	
DR	4'-7 3/4"	DR	

NOTICE

SWIMMING POOLS AND ACCESSORIES (INCLUDING DIVING BOARDS) ARE DANGEROUS WHEN IMPROPERLY USED OR INSTALLED. IT IS THE RESPONSIBILITY OF MUNICIPAL OFFICIALS, BUILDERS AND POOL OWNERS TO ADHERE TO ALL SAFETY RECOMMENDATIONS AND STANDARDS ISSUED BY THE POOL & HOT TUB COUNCIL, LOCAL AUTHORITIES AND EQUIPMENT MANUFACTURERS. PLEASE REFER TO DIVING BOARD MANUFACTURERS FOR CORRECT POSITIONING AND INSTALLATION OF DIVING EQUIPMENT.

20'-4"

*ALL DIMENSIONS ARE FINISHED

0 5 10
SCALE

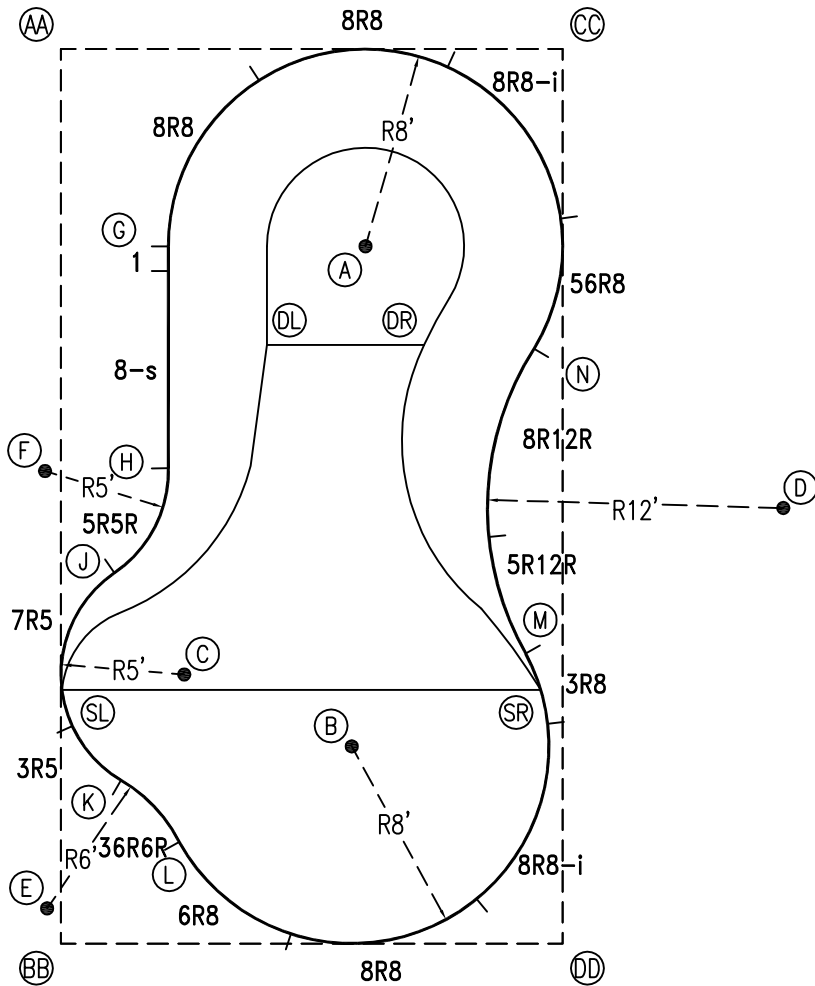
HIGHBURY POOLS LTD

VISTA - RIGHT 16 x 20 x 36

DRAWING REFERENCE #
92-16-36-2

DRAWN BY: JK
REV. 9 AUG 13
SHEET 1 OF 2

PERIMETER: 95'



EXTERNAL INSTALLATION DATA

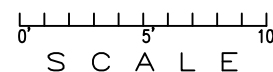
AA TO:	BB TO:	CC TO:	DD TO:
AA ---	AA 36'-3 1/2"	AA 20'-4 1/4"	AA 41'-7 1/4"
BB ---	BB ---	BB 41'-7 1/4"	BB 20'-4 1/4"
CC ---	CC ---	CC ---	CC 36'-3 1/2"
A 14'-8 1/2"	A 30'-10 1/4"	A 11'-3 3/4"	A 29'-4 3/4"
B 30'-7 3/4"	B 14'-3"	B 29'-6 1/2"	B 11'-8 1/2"
C 25'-10 1/4"	C 12'-0"	C 29'-7 3/4"	C 18'-10"
D 34'-8 1/2"	D 34'-2 1/2"	D 20'-7 3/4"	D 19'-9 1/2"
E 34'-10 1/4"	E 1'-6 1/4"	E 40'-7 3/4"	E 20'-11 1/2"
F 17'-1 1/2"	F 19'-2"	F 27'-1"	F 28'-5 1/4"
G 9'-1 1/4"	G 28'-7 1/4"	G 17'-10 1/2"	G 32'-5 3/4"
H 17'-6 1/2"	H 19'-9 1/4"	H 23'-4"	H 25'-0 3/4"
J 21'-4 1/4"	J 15'-2 1/4"	J 27'-11 1/2"	J 23'-7"
K 29'-9"	K 7'-0 3/4"	K 34'-7 3/4"	K 19'-1 1/4"
L 32'-6 1/4"	L 6'-3 3/4"	L 35'-8 3/4"	L 16'-1"
M 30'-11"	M 22'-2 1/2"	M 24'-6 3/4"	M 11'-10 1/4"
N 22'-8 1/2"	N 30'-10"	N 12'-2 1/2"	N 24'-1 3/4"
SL 26'-0"	SL 10'-3 1/2"	SL 33'-0"	SL 22'-9 1/4"
SR 32'-5 3/4"	SR 22'-0"	SR 26'-0"	SR 10'-3 3/4"
DL 14'-7 1/2"	DL 25'-8 1/4"	DL 16'-11 1/2"	DL 27'-1"
DR 19'-0"	DR 28'-4 3/4"	DR 13'-3"	DR 24'-11"

DIAGONALS

From Point "G" to:-	From Point "H" to:-
H 9'-0"	H
J 13'-5 1/8"	J 4'-9 3/8"
K 21'-8 7/8"	K 12'-9 5/8"
L 24'-2 1/8"	L 15'-2 1/8"
M 21'-11 3/4"	M 16'-4"
N 15'-4 7/8"	N 15'-7 3/8"

NOTICE

SWIMMING POOLS AND ACCESSORIES (INCLUDING DIVING BOARDS) ARE DANGEROUS WHEN IMPROPERLY USED OR INSTALLED. IT IS THE RESPONSIBILITY OF MUNICIPAL OFFICIALS, BUILDERS AND POOL OWNERS TO ADHERE TO ALL SAFETY RECOMMENDATIONS AND STANDARDS ISSUED BY THE POOL & HOT TUB COUNCIL, LOCAL AUTHORITIES AND EQUIPMENT MANUFACTURERS. PLEASE REFER TO DIVING BOARD MANUFACTURERS FOR CORRECT POSITIONING AND INSTALLATION OF DIVING EQUIPMENT.



HIGHBURY POOLS LTD

VISTA - RIGHT 16 x 20 x 36

DRAWING REFERENCE #
92-16-36-2

DRAWN BY: JK
REV. 9 AUG 13
SHEET 2 OF 2