

**MISCELLANEOUS INFORMATION**

PERIMETER:	96'6"
SURFACE AREA:	577 SQ FT
VOLUME:	17316 IMP GALS 78788 LITER

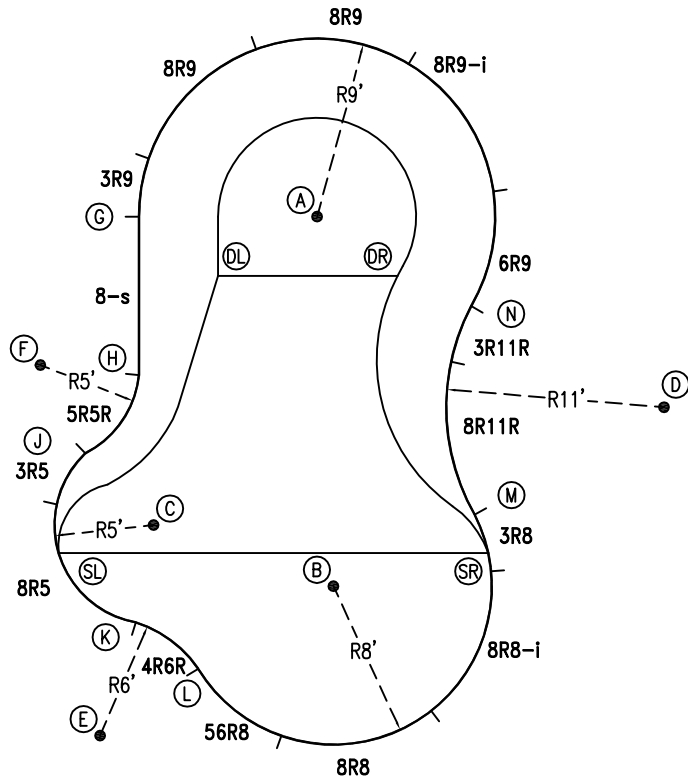
**CONCRETE DECK INFO**

WIDTH	AREA	NET INCREASES FOR:			
		STEPS	DIVING	SLIDE	ROLLER
2'	206	13	27	24	10
2'6"	261	17	31	20	10
3'	318	20	36	16	10

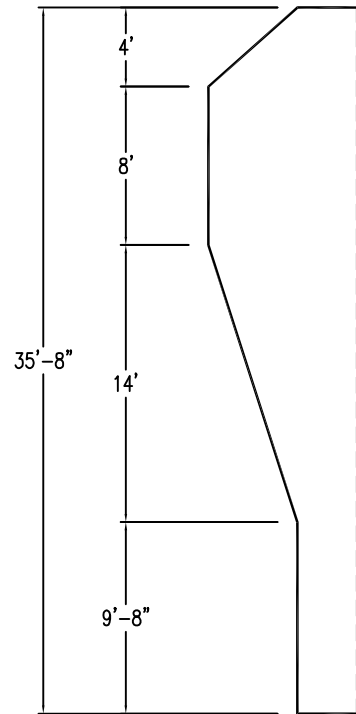
All Figures Represent "Sq Ft"

**PARTS LIST**

CODE	QTY	DESCRIPTION
5R5R	1	5' Plain x 5' Reverse Radius
8-s	1	8' Skimmer
3R9	1	3' Plain x 9' Radius
8R9	2	8' Plain x 9' Radius
8R9-i	1	8' Return x 9' Radius
6R9	1	6' Plain x 9' Radius
3R11R	1	3' Plain x 11' Reverse Radius
8R11R	1	8' Plain x 11' Reverse Radius
3R8	1	3' Plain x 8' Radius
8R8-i	1	8' Return x 8' Radius
8R8	1	8' Plain x 8' Radius
56R8	1	5'6" Plain x 8' Radius
4R6R	1	4' Plain x 6' Reverse Radius
8R5	1	8' Plain x 5' Radius
3R5	1	3' Plain x 5' Radius
AF	16	A-Frame
S	32	Stakes
NB	96	Nuts & Bolts



6" WATER LINE

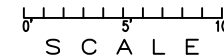


**INSTALLATION DATA**

From Point "A" to:-		From Point "B" to:-	
B	18'-8 1/4"	B	9'-7"
C	17'-7 1/2"	C	14'-0"
D	20'-0"	D	18'-11 3/4"
E	28'-4 3/4"	E	14'-0"
F	15'-10 1/4"	F	18'-6 1/2"
G	9'-0"	G	21'-1"
H	12'-0 1/2"	H	14'-6"
J	16'-8 3/4"	J	14'-2 1/2"
K	22'-5 1/4"	K	10'-1 3/4"
L	23'-7 1/4"	L	8'-0"
M	17'-0 1/4"	M	8'-0"
N	9'-0"	N	15'-9 1/4"
SL	21'-5 1/4"	SL	13'-11 3/4"
SR	19'-0 3/4"	SR	8'-0"
DL	5'-9 3/4"	DL	16'-8 1/2"
DR	5'-0 3/4"	DR	16'-0"

22'-3"

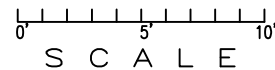
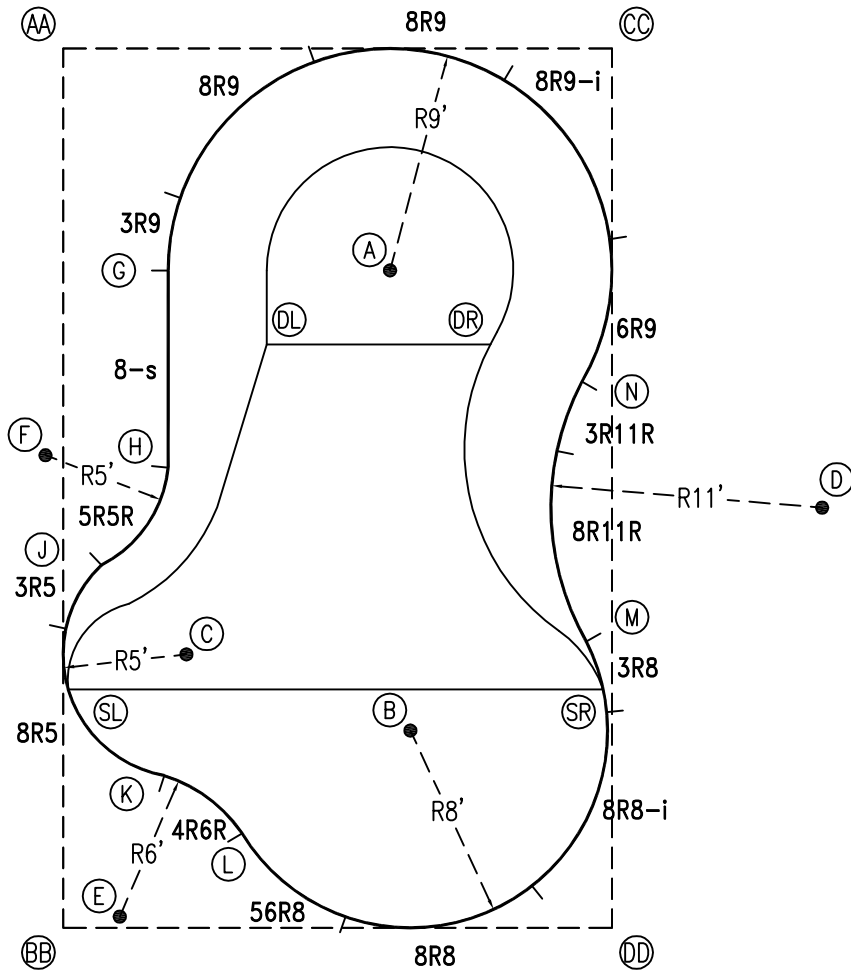
\*ALL DIMENSIONS ARE FINISHED



**NOTICE**

SWIMMING POOLS AND ACCESSORIES (INCLUDING DIVING BOARDS) ARE DANGEROUS WHEN IMPROPERLY USED OR INSTALLED. IT IS THE RESPONSIBILITY OF MUNICIPAL OFFICIALS, BUILDERS AND POOL OWNERS TO ADHERE TO ALL SAFETY RECOMMENDATIONS AND STANDARDS ISSUED BY THE POOL & HOT TUB COUNCIL, LOCAL AUTHORITIES AND EQUIPMENT MANUFACTURERS. PLEASE REFER TO DIVING BOARD MANUFACTURERS FOR CORRECT POSITIONING AND INSTALLATION OF DIVING EQUIPMENT.

PERIMETER: 96'6"



**EXTERNAL INSTALLATION DATA**

AA TO:	BB TO:	CC TO:	DD TO:
AA ---	AA 35'-8"	AA 22'-3"	AA 42'-0 1/2"
BB ---	BB ---	BB 42'-0 1/2"	BB 22'-3"
CC ---	CC ---	CC ---	CC 35'-8"
A 16'-0 1/4"	A 29'-9 1/4"	A 12'-8 3/4"	A 28'-1 3/4"
B 31'-0 1/2"	B 16'-2 1/4"	B 28'-10 1/4"	B 11'-5 1/4"
C 25'-0 3/4"	C 12'-2"	C 30'-0 1/4"	C 20'-6 1/4"
D 35'-11 3/4"	D 35'-2 1/4"	D 20'-5 3/4"	D 19'-0 3/4"
E 35'-3 1/2"	E 2'-4"	E 40'-5 3/4"	E 19'-11 1/2"
F 16'-6"	F 19'-2 1/4"	F 28'-3 1/4"	F 29'-11"
G 9'-11 1/2"	G 27'-0"	G 20'-1 1/2"	G 32'-2"
H 17'-6 1/4"	H 19'-1 3/4"	H 24'-9"	H 25'-11 1/4"
J 21'-0"	J 14'-9 1/2"	J 29'-5 1/2"	J 25'-4 3/4"
K 29'-9 1/4"	K 7'-4 3/4"	K 34'-7 1/2"	K 19'-2"
L 32'-7 3/4"	L 8'-2 1/2"	L 35'-2 1/4"	L 15'-5 3/4"
M 32'-0 3/4"	M 24'-2 1/4"	M 24'-0 3/4"	M 11'-7 3/4"
N 25'-0"	N 30'-6 3/4"	N 13'-6 3/4"	N 22'-2 1/4"
SL 26'-0"	SL 9'-8"	SL 34'-1"	SL 24'-0 3/4"
SR 34'-0"	SR 23'-11 1/4"	SR 26'-0"	SR 9'-8"
DL 14'-6 3/4"	DL 25'-0 3/4"	DL 18'-5 1/4"	DL 27'-6"
DR 21'-0 3/4"	DR 29'-4"	DR 12'-11 1/2"	DR 24'-2"

**DIAGONALS**

From Point "G" to:-		From Point "H" to:-	
H	8'-0"	H	
J	12'-3 1/8"	J	4'-9 1/2"
K	20'-5 7/8"	K	12'-5 7/8"
L	23'-0 3/8"	L	15'-1 5/8"
M	22'-8 1/8"	M	18'-4 1/2"
N	17'-4 5/8"	N	17'-1 3/4"

**NOTICE**

SWIMMING POOLS AND ACCESSORIES (INCLUDING DIVING BOARDS) ARE DANGEROUS WHEN IMPROPERLY USED OR INSTALLED. IT IS THE RESPONSIBILITY OF MUNICIPAL OFFICIALS, BUILDERS AND POOL OWNERS TO ADHERE TO ALL SAFETY RECOMMENDATIONS AND STANDARDS ISSUED BY THE POOL & HOT TUB COUNCIL, LOCAL AUTHORITIES AND EQUIPMENT MANUFACTURERS. PLEASE REFER TO DIVING BOARD MANUFACTURERS FOR CORRECT POSITIONING AND INSTALLATION OF DIVING EQUIPMENT.

**HIGHBURY POOLS LTD**

VISTA - RIGHT 18 x 22 x 36

DRAWING REFERENCE #  
92-18-36-2

DRAWN BY: JK  
REV. 9 AUG 13  
SHEET 2 OF 2