

MISCELLANEOUS INFORMATION

PERIMETER:-	70'-2"
SURFACE AREA:	285.7 SQ FT
VOLUME:	6828 IMP GALS 31040 L

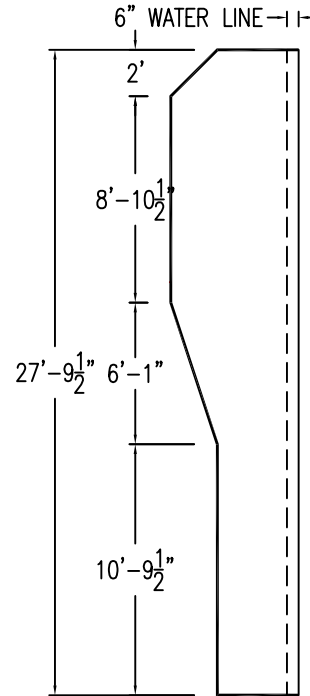
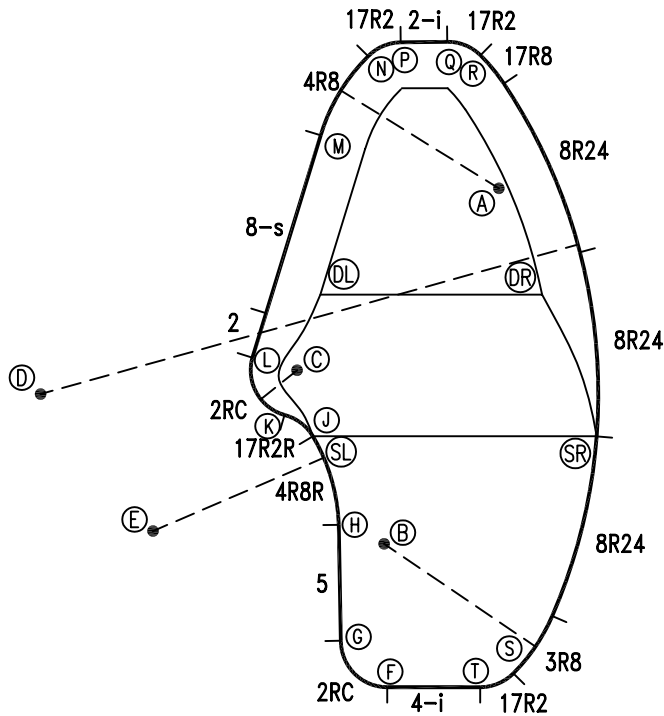
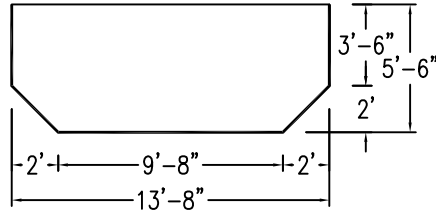
CONCRETE DECK INFO

WIDTH	AREA	NET INCREASES FOR:			
		STEPS	DIVING	SLIDE	ROLLER
2'	153	13	27	24	10
2'6"	195	17	31	20	10
3'	239	20	36	16	10

All Figures Represent "Sq Ft"

PARTS LIST

CODE	QTY	DESCRIPTION
5	1	5' Plain
4-i	1	4' Return
2-i	1	2' Return
8-s	1	8' Skimmer
2	1	2' Plain
8R24	3	8' Plain x 24' Rad
3R8	1	3' Plain x 8' Rad
4R8	1	4' Plain x 8' Rad
17R2	3	1'7" Plain x 2' Rad
4R8R	1	4' Plain x 8' Reverse Rad
17R2R	1	1'7" Plain x 2' Reverse Rad
2RC	2	3'2" Plain x 2' Rad
17R8	1	1'7" Plain x 8' Rad
AF	18	"A" Frames
S	36	Stakes
NB	108	Nuts & Bolts



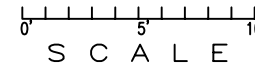
*ALL DIMENSIONS ARE FINISHED

INSTALLATION DATA

From Point "A" to:-		From Point "B" to:-	
B	16'-0 7/8"	B	8'-4 1/4"
C	11'-8 1/4"	C	16'-1 1/2"
D	21'-7 3/8"	D	9'-11 1/2"
E	20'-11 1/2"	E	6'-2"
F	22'-0"	F	4'-6 3/4"
G	20'-7 1/2"	G	2'-1 3/8"
H	16'-0 3/8"	H	5'-6 5/8"
J	13'-4"	J	7'-0 1/8"
K	13'-5 1/8"	K	9'-9 7/8"
L	12'-10 3/8"	L	17'-9 1/2"
M	8'-0"	M	20'-11 7/8"
N	8'-0"	N	21'-7 1/8"
P	7'-6 7/8"	P	21'-9 3/8"
Q	6'-8 1/4"	Q	21'-5 1/4"
R	5'-9 3/8"	R	7'-10 1/2"
S	20'-10 1/2"	S	7'-5 1/8"
T	21'-5 3/4"	T	5'-6 5/8"
SL	13'-4"	SL	10'-3"
SR	11'-5 5/8"	SR	11'-0 7/8"
DL	8'-11 1/4"	DL	12'-8 3/8"
DR	4'-11 1/4"	DR	

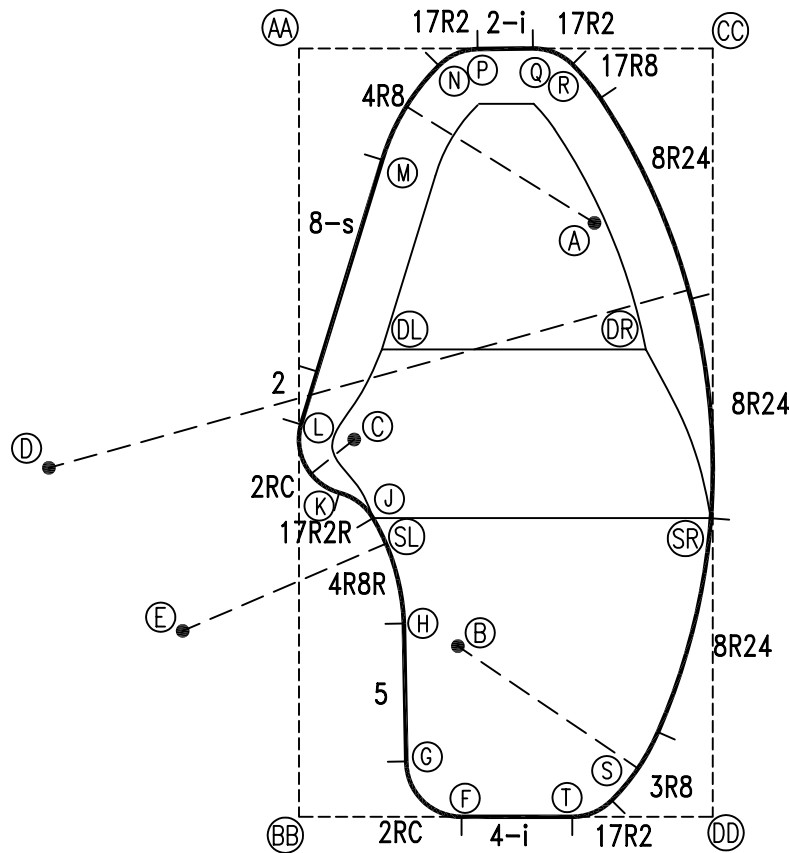
NOTICE

SWIMMING POOLS AND ACCESSORIES (INCLUDING DIVING BOARDS) ARE DANGEROUS WHEN IMPROPERLY USED OR INSTALLED. IT IS THE RESPONSIBILITY OF MUNICIPAL OFFICIALS, BUILDERS AND POOL OWNERS TO ADHERE TO ALL SAFETY RECOMMENDATIONS AND STANDARDS ISSUED BY THE POOL & HOT TUB COUNCIL, LOCAL AUTHORITIES AND EQUIPMENT MANUFACTURERS. PLEASE REFER TO DIVING BOARD MANUFACTURERS FOR CORRECT POSITIONING AND INSTALLATION OF DIVING EQUIPMENT.



EXTERNAL INSTALLATION DATA

AA TO:	BB TO:	CC TO:	DD TO:
AA ---	AA 27'-9 1/4"	AA 14'-11 1/2"	AA 31'-6 5/8"
BB ---	BB ---	BB 31'-6 5/8"	BB 14'-11 1/2"
CC ---	CC ---	CC ---	CC 27'-9 1/4"
A 12'-4 7/8"	A 23'-11 3/4"	A 7'-7 1/2"	A 21'-10 5/8"
B 22'-4 1/4"	B 8'-5 1/8"	B 23'-5 7/8"	B 11'-1 1/8"
C 14'-3 3/8"	C 13'-9 3/8"	C 19'-2 1/8"	C 18'-9 3/4"
D 17'-7 3/4"	D 15'-6 1/4"	D 28'-4 5/8"	D 27'-1 3/8"
E 21'-5 5/8"	E 7'-11 1/8"	E 28'-5 5/8"	E 20'-3 3/4"
F 28'-4 3/4"	F 5'-10 5/8"	F 29'-2 5/8"	F 9'-0 7/8"
G 26'-0 3/4"	G 4'-4 3/8"	G 28'-0 5/8"	G 11'-3 1/8"
H 21'-1 5/8"	H 7'-11 3/8"	H 23'-7 1/8"	H 13'-2 1/8"
J 17'-2 1/4"	J 11'-1 1/2"	J 20'-11 1/2"	J 16'-4 1/4"
K 16'-1 1/2"	K 11'-9 5/8"	K 20'-11 7/8"	K 17'-10 1/2"
L 13'-7 1/8"	L 14'-2 1/4"	L 20'-1 7/8"	L 20'-6 3/4"
M 5'-0 3/8"	M 23'-11 1/4"	M 12'-7 1/4"	M 26'-7"
N 5'-1 1/8"	N 27'-7 3/8"	N 9'-11 1/8"	N 28'-10 7/8"
P 6'-5 1/2"	P 28'-5 7/8"	P 8'-6"	P 29'-0 1/4"
Q 8'-6 1/8"	Q 29'-0 5/8"	Q 6'-5 1/2"	Q 28'-6 1/4"
R 9'-10 7/8"	R 28'-11 1/4"	R 5'-1 1/4"	R 27'-7 7/8"
S 29'-5 1/4"	S 11'-3 7/8"	S 27'-5 1/8"	S 3'-8 1/2"
T 29'-5 3/4"	T 9'-10 5/8"	T 28'-2 7/8"	T 5'-0 7/8"
SL 17'-2 1/4"	SL 11'-1 1/2"	SL 20'-11 1/2"	SL 16'-4 1/4"
SR 22'-7"	SR 18'-4 3/4"	SR 16'-11 3/4"	SR 10'-9 5/8"
DL 11'-3 1/2"	DL 17'-1 7/8"	DL 16'-2"	DL 20'-8 3/8"
DR 16'-7 1/4"	DR 21'-0 1/2"	DR 11'-1 3/4"	DR 17'-0 3/4"



0' 5' 10'
SCALE

NOTICE

SWIMMING POOLS AND ACCESSORIES (INCLUDING DIVING BOARDS) ARE DANGEROUS WHEN IMPROPERLY USED OR INSTALLED. IT IS THE RESPONSIBILITY OF MUNICIPAL OFFICIALS, BUILDERS AND POOL OWNERS TO ADHERE TO ALL SAFETY RECOMMENDATIONS AND STANDARDS ISSUED BY THE POOL & HOT TUB COUNCIL, LOCAL AUTHORITIES AND EQUIPMENT MANUFACTURERS. PLEASE REFER TO DIVING BOARD MANUFACTURERS FOR CORRECT POSITIONING AND INSTALLATION OF DIVING EQUIPMENT.

HIGHBURY POOLS LTD

WASAGA - LEFT 14 X 28

DRAWING REFERENCE #
94-14-28-1

DRAWN BY: BC
REV. 08 FEB 2007
SHEET 2 OF 2