

**MISCELLANEOUS INFORMATION**

PERIMETER:	70'1"
SURFACE AREA:	297 SQ FT
VOLUME:	8445 IMP GALS 38425 LITER

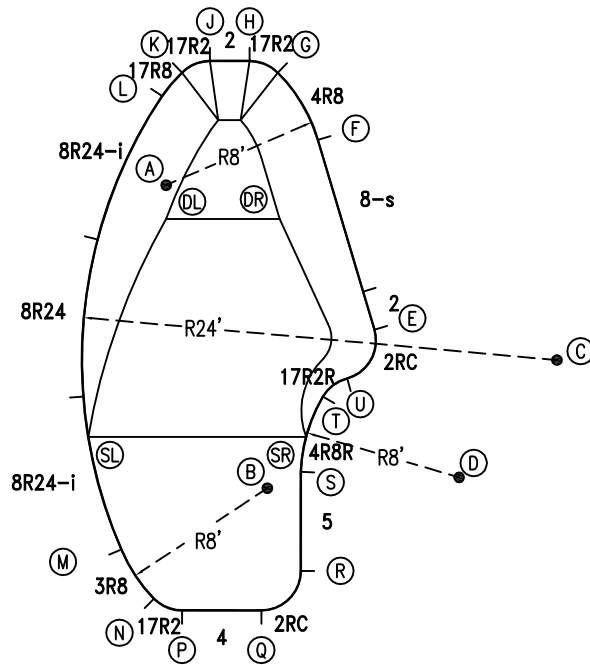
**CONCRETE DECK INFO**

WIDTH	AREA	NET INCREASES FOR:			
		STEPS	DIVING	SLIDE	ROLLER
2'	153	13	27	24	10
2'6"	0	17	31	20	10
3'	0	20	36	16	10

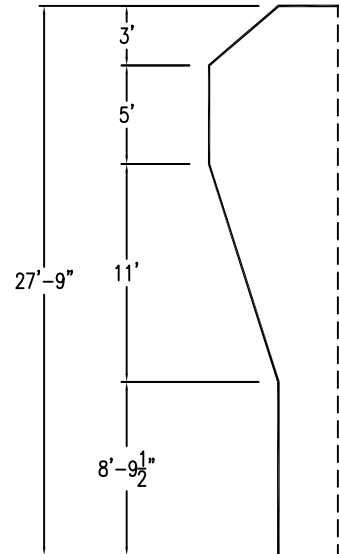
All Figures Represent "Sq Ft"

**PARTS LIST**

CODE	QTY	DESCRIPTION
4R8	1	4' Plain x 8' Radius
8-s	1	8' Skimmer
2	2	2' Plain
2RC	2	3'2" Plain x 2' Rad Cnr
17R2R	1	1'7" Plain x 2' Reverse Radius
4R8R	1	4' Plain x 8' Reverse Radius
5	1	5' Plain
4	1	4' Plain
17R2	3	1'7" Plain x 2' Radius
3R8	1	3' Plain x 8' Radius
8R24-i	2	8' Return x 24' Radius
8R24	1	8' Plain x 24' Radius
17R8	1	1'7" Plain x 8' Radius
AF	18	A-Frame
S	36	Stakes
NB	108	Nuts & Bolts



6" WATER LINE



**INSTALLATION DATA**

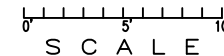
From Point "A" to:-		From Point "B" to:-	
B	16'-1 1/2"	B	15'-11 3/4"
C	21'-7 1/2"	C	9'-8 1/2"
D	20'-10 3/4"	D	9'-7 3/4"
E	12'-9 3/4"	E	17'-9 1/4"
F	8'-0"	F	21'-0"
G	8'-0"	G	21'-0"
H	7'-6 1/2"	H	21'-7"
J	6'-7 3/4"	J	21'-9 1/4"
K	5'-8 3/4"	K	21'-5"
L	4'-6"	L	20'-6"
M	18'-6 1/2"	M	8'-0"
N	20'-10 3/4"	N	8'-0"
P	21'-6"	P	7'-6 1/4"
Q	22'-0 1/4"	Q	6'-2 1/4"
R	20'-7 1/2"	R	4'-6"
S	16'-0"	S	1'-10 1/2"
T	13'-3 1/2"	T	5'-4 3/4"
U	13'-4 1/2"	U	6'-10 1/4"
SL	13'-3 3/4"	SL	9'-4 3/4"
SR	14'-6 1/2"	SR	3'-2 3/4"
DL	1'-8 1/2"	DL	14'-6 1/4"
DR	5'-11 3/4"	DR	13'-7 1/4"

**NOTICE**

SWIMMING POOLS AND ACCESSORIES (INCLUDING DIVING BOARDS) ARE DANGEROUS WHEN IMPROPERLY USED OR INSTALLED. IT IS THE RESPONSIBILITY OF MUNICIPAL OFFICIALS, BUILDERS AND POOL OWNERS TO ADHERE TO ALL SAFETY RECOMMENDATIONS AND STANDARDS ISSUED BY THE POOL & HOT TUB COUNCIL, LOCAL AUTHORITIES AND EQUIPMENT MANUFACTURERS. PLEASE REFER TO DIVING BOARD MANUFACTURERS FOR CORRECT POSITIONING AND INSTALLATION OF DIVING EQUIPMENT.

14'-10"

\*ALL DIMENSIONS ARE FINISHED



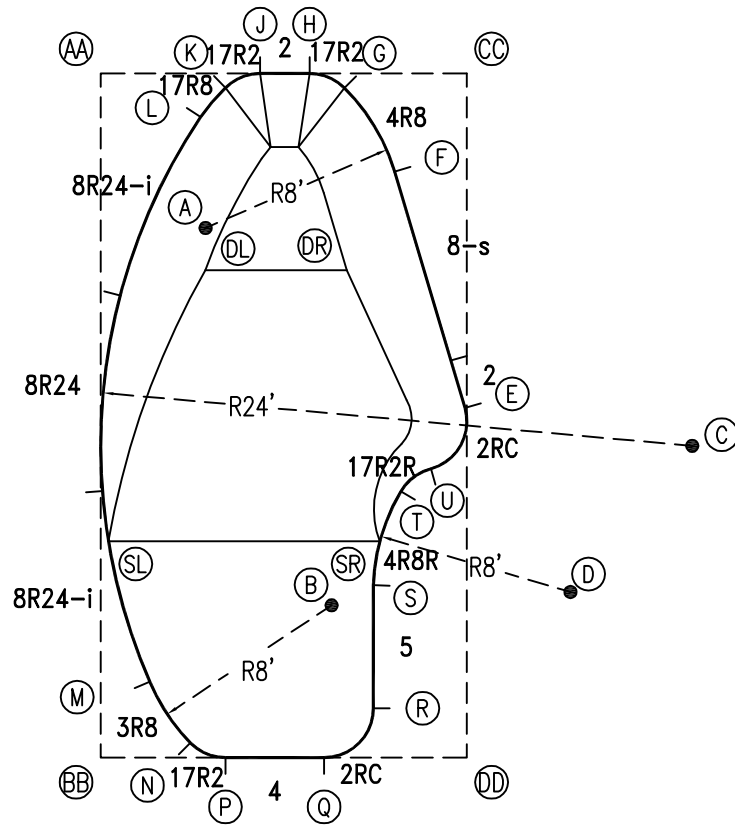
HIGHBURY POOLS LTD

WASAGA - RIGHT 14 x 15 x 28

DRAWING REFERENCE #  
94-14-28-2

DRAWN BY: JK  
REV. 28 AUG 13  
SHEET 1 OF 2

PERIMETER: 70'1"

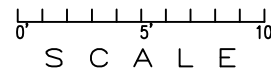


EXTERNAL INSTALLATION DATA

AA TO:	BB TO:	CC TO:	DD TO:
AA --	AA 27'-9"	AA 14'-10 1/4"	AA 31'-5 3/4"
BB --	BB --	BB 31'-5 3/4"	BB 14'-10 1/4"
CC --	CC --	CC --	CC 27'-9"
A 7'-6 3/4"	A 21'-10 3/4"	A 12'-3 3/4"	A 23'-11 1/2"
B 23'-6 1/4"	B 11'-2 1/2"	B 22'-3"	B 8'-3"
C 28'-4 1/4"	C 27'-1 1/2"	C 17'-7 3/4"	C 15'-7 1/4"
D 28'-4 1/2"	D 20'-2 1/2"	D 21'-5 1/4"	D 7'-11"
E 20'-0 3/4"	E 20'-5 3/4"	E 13'-6 3/4"	E 14'-2 1/4"
F 12'-6 3/4"	F 26'-7"	F 4'-11 1/4"	F 23'-11 1/2"
G 9'-10 3/4"	G 28'-10 3/4"	G 5'-0"	G 27'-7 1/4"
H 8'-5 1/2"	H 29'-0 1/4"	H 6'-4 1/2"	H 28'-5 3/4"
J 6'-5 1/2"	J 28'-5 3/4"	J 8'-4 1/2"	J 28'-11 3/4"
K 5'-1"	K 27'-7 1/2"	K 9'-9 3/4"	K 28'-10 1/2"
L 4'-5"	L 26'-3 1/2"	L 10'-11 1/4"	L 28'-1 3/4"
M 24'-9"	M 3'-8"	M 27'-9 3/4"	M 13'-2 3/4"
N 27'-4 3/4"	N 3'-8 1/4"	N 29'-4 1/2"	N 11'-2 3/4"
P 28'-2 1/2"	P 5'-0 3/4"	P 29'-5"	P 9'-9 1/2"
Q 29'-2 1/4"	Q 9'-0 3/4"	Q 28'-4 1/4"	Q 5'-9 1/2"
R 28'-0 1/4"	R 11'-2 3/4"	R 26'-0 1/4"	R 4'-3 1/2"
S 23'-6 1/4"	S 13'-1"	S 21'-1"	S 7'-11 1/2"
T 20'-10 1/2"	T 16'-3 1/4"	T 17'-1 3/4"	T 11'-1 1/2"
U 20'-10 3/4"	U 17'-9 1/2"	U 16'-1 1/4"	U 11'-9 1/2"
SL 18'-11 3/4"	SL 8'-9 1/4"	SL 23'-10 3/4"	SL 16'-11 3/4"
SR 22'-1 1/4"	SR 14'-3 3/4"	SR 19'-3 3/4"	SR 9'-5 1/2"
DL 9'-0 1/2"	DL 20'-2 1/2"	DL 13'-3 1/4"	DL 22'-5 1/4"
DR 12'-9 1/4"	DR 22'-1 3/4"	DR 9'-4 1/4"	DR 20'-4 1/4"

DIAGONALS

From Point "E" to:-	From Point "F" to:-
F 10'-0"	F 3'-11 1/2"
G 13'-10 1/2"	G 3'-11 1/2"
H 14'-11 1/2"	H 5'-3 1/4"
J 15'-10 7/8"	J 6'-8 7/8"
K 16'-2 5/8"	K 7'-7 7/8"
L 15'-11 3/8"	L 8'-2 1/8"
M 16'-11 1/4"	M 22'-11 3/8"
N 17'-6 7/8"	N 24'-7 3/8"
P 17'-2 3/8"	P 24'-8 7/8"
Q 15'-3 1/2"	Q 23'-11 3/8"
R 12'-8 7/8"	R 21'-9 1/2"
S 8'-1 1/8"	S 16'-9 1/2"
T 4'-3 1/4"	T 12'-11 3/4"
U 2'-9 7/8"	U 12'-1 3/4"



NOTICE

SWIMMING POOLS AND ACCESSORIES (INCLUDING DIVING BOARDS) ARE DANGEROUS WHEN IMPROPERLY USED OR INSTALLED. IT IS THE RESPONSIBILITY OF MUNICIPAL OFFICIALS, BUILDERS AND POOL OWNERS TO ADHERE TO ALL SAFETY RECOMMENDATIONS AND STANDARDS ISSUED BY THE POOL & HOT TUB COUNCIL, LOCAL AUTHORITIES AND EQUIPMENT MANUFACTURERS. PLEASE REFER TO DIVING BOARD MANUFACTURERS FOR CORRECT POSITIONING AND INSTALLATION OF DIVING EQUIPMENT.

HIGHBURY POOLS LTD

WASAGA - RIGHT 14 x 15 x 28

DRAWING REFERENCE #  
94-14-28-2

DRAWN BY: JK  
REV. 28 AUG 13  
SHEET 2 OF 2