

MISCELLANEOUS INFORMATION

PERIMETER:-	82'-7"
SURFACE AREA:	427.4 SQ FT
VOLUME: 13027 IMP GALS	59219 L

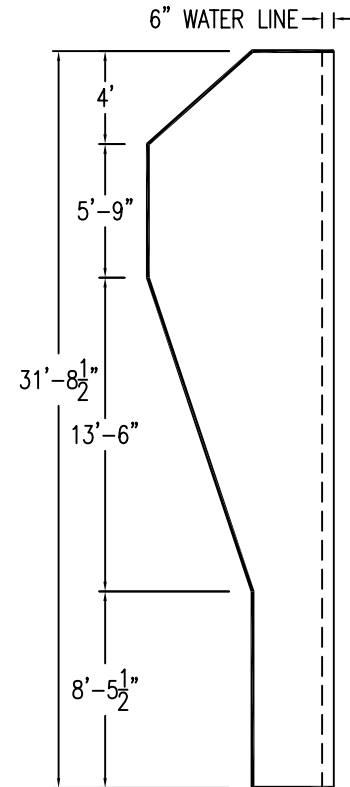
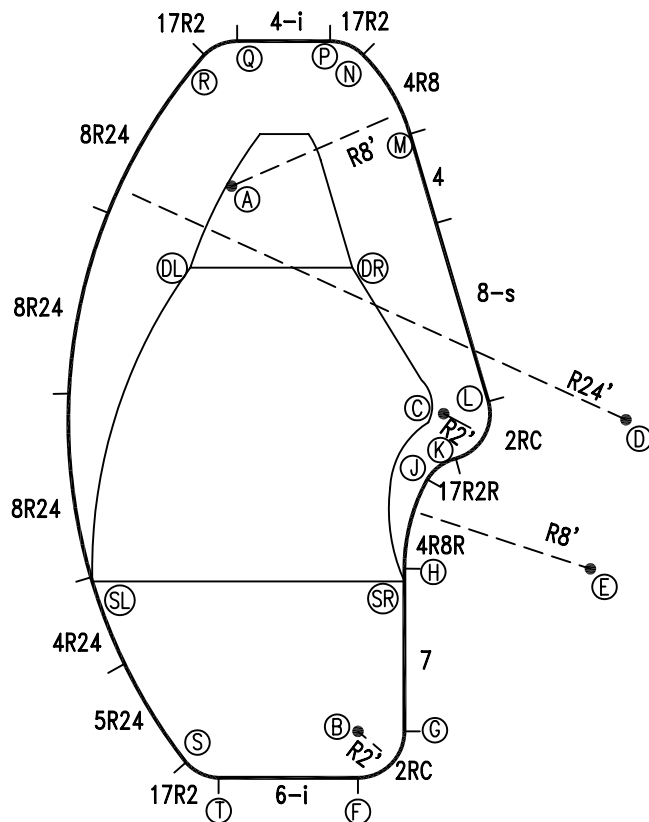
CONCRETE DECK INFO

WIDTH	AREA	NET INCREASES FOR:			
		STEPS	DIVING	SLIDE	ROLLER
2'	179	13	27	24	10
2'6"	227	17	31	20	10
3'	277	20	36	16	10

All Figures Represent "Sq Ft"

PARTS LIST

CODE	QTY	DESCRIPTION
8R24	3	8' Plain x 24' Rad
5R24	1	5' Plain x 24' Rad
4R24	1	4' Plain x 24' Rad
4R8	1	4' Plain x 8' Rad
4R8R	1	4' Plain x 8' Reverse Rad
2RC	2	3'2" Plain x 2' Rad Cnr
17R2	3	1'7" Plain x 2' Rad
17R2R	1	1'7" Plain x 2' Reverse Rad
8-s	1	8' Skimmer
6-i	1	6' Return
4-i	1	4' Return
7	1	7' Plain
4	1	4' Plain
AF	18	"A" Frames
S	36	Stakes
NB	108	Nuts & Bolts



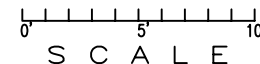
INSTALLATION DATA

From Point "A" to:-		From Point "B" to:-	
B	24'-1"	B	
C	13'-4 5/8"	C	14'-1 7/8"
D	19'-8 3/4"	D	17'-8 1/4"
E	22'-6 7/8"	E	12'-2 1/2"
F	26'-0 1/2"	F	2'-0"
G	24'-7 3/8"	G	2'-0"
H	18'-0 3/4"	H	7'-3 3/8"
J	15'-2 1/8"	J	11'-2 7/8"
K	15'-2 1/4"	K	12'-5 3/4"
L	14'-5 1/8"	L	15'-3 1/4"
M	8'-0"	M	25'-9 3/4"
N	8'-0"	N	29'-1 1/2"
P	7'-6 5/8"	P	29'-8 3/4"
Q	6'-2 7/8"	Q	30'-1 7/8"
R	5'-9 3/8"	R	29'-10 3/8"
S	24'-10 1/2"	S	7'-6 1/4"
T	25'-5 5/8"	T	6'-4 1/8"
SR	18'-6 3/4"	SR	6'-9 1/8"
SL	18'-0 3/8"	SL	13'-1 5/8"
DR	6'-3 1/4"	DR	19'-11 1/2"
DL	3'-11 1/8"	DL	21'-2 5/8"

NOTICE

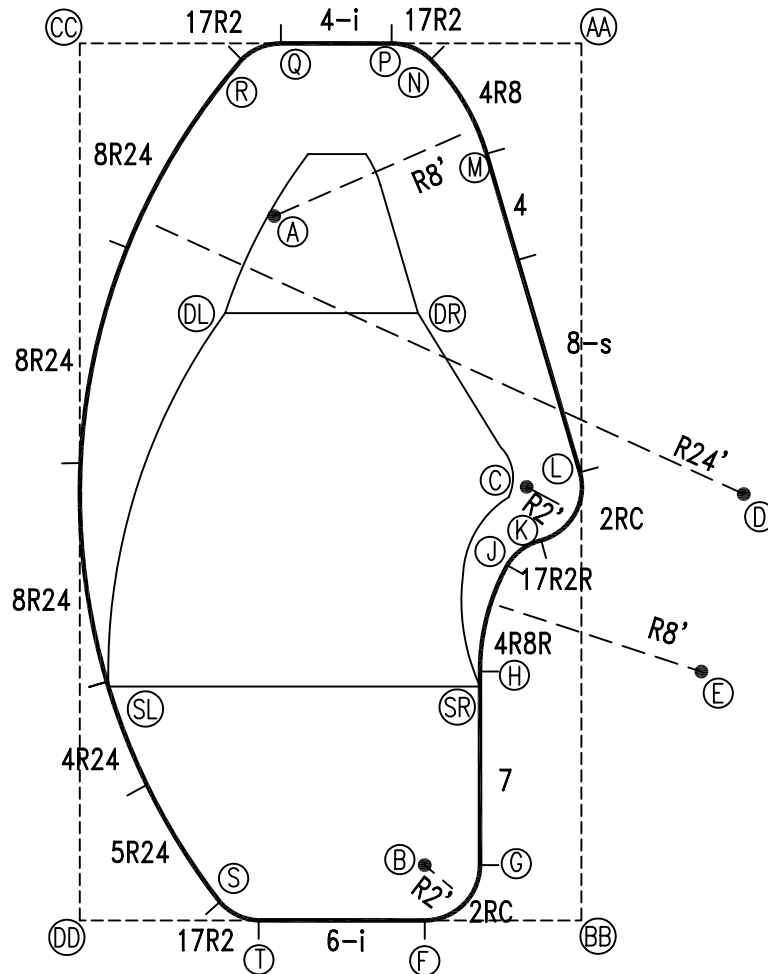
SWIMMING POOLS AND ACCESSORIES (INCLUDING DIVING BOARDS) ARE DANGEROUS WHEN IMPROPERLY USED OR INSTALLED. IT IS THE RESPONSIBILITY OF MUNICIPAL OFFICIALS, BUILDERS AND POOL OWNERS TO ADHERE TO ALL SAFETY RECOMMENDATIONS AND STANDARDS ISSUED BY THE POOL & HOT TUB COUNCIL, LOCAL AUTHORITIES AND EQUIPMENT MANUFACTURERS. PLEASE REFER TO DIVING BOARD MANUFACTURERS FOR CORRECT POSITIONING AND INSTALLATION OF DIVING EQUIPMENT.

*ALL DIMENSIONS ARE FINISHED



EXTERNAL INSTALLATION DATA

AA TO:	BB TO:	CC TO:	DD TO:
AA ---	AA 31'-8 1/2"	AA 18'-1 1/2"	AA 36'-6 1/4"
BB ---	BB ---	BB 36'-6 1/4"	BB 18'-1 1/2"
CC ---	CC ---	CC ---	CC 31'-8 1/2"
A 12'-8 7/8"	A 27'-9 3/8"	A 9'-4 3/4"	A 26'-4 7/8"
B 30'-2 7/8"	B 6'-0 1/8"	B 32'-2 5/8"	B 12'-7 1/2"
C 16'-1 7/8"	C 15'-9 5/8"	C 22'-9 1/8"	C 22'-6 1/8"
D 17'-3 7/8"	D 16'-5 7/8"	D 29'-0 1/8"	D 28'-6 1/4"
E 23'-1 1/2"	E 9'-11 7/8"	E 31'-11 3/8"	E 24'-2 1/2"
F 32'-2 1/2"	F 5'-7 7/8"	F 34'-0 7/8"	F 12'-5 5/8"
G 29'-11 1/8"	G 4'-2 1/8"	G 33'-0 1/2"	G 14'-7 1/4"
H 23'-0"	H 9'-8 5/8"	H 26'-11"	H 17'-0 3/8"
J 19'-0 3/4"	J 13'-1 3/8"	J 24'-4 5/8"	J 20'-1"
K 18'-0 1/4"	K 13'-9 7/8"	K 24'-6 1/8"	K 21'-7 3/8"
L 15'-6"	L 16'-2 3/8"	L 23'-9 7/8"	L 24'-3 3/8"
M 5'-3 1/8"	M 27'-11 1/8"	M 15'-2 7/8"	M 31'-4 1/2"
N 5'-5 3/4"	N 31'-7 1/8"	N 12'-8 3/8"	N 33'-7 1/4"
P 6'-10 3/8"	P 32'-5 1/4"	P 11'-3 1/4"	P 33'-7 3/4"
Q 10'-10 3/8"	Q 33'-6 1/8"	Q 7'-3 1/4"	Q 32'-6 3/8"
R 12'-3 1/2"	R 33'-5 3/8"	R 5'-10 5/8"	R 31'-7 7/8"
S 33'-8 1/8"	S 13'-1"	S 31'-5 3/8"	S 5'-1 1/4"
T 33'-9 1/2"	T 11'-8 1/4"	T 32'-4 1/4"	T 6'-5 3/8"
SR 23'-6 1/2"	SR 9'-2 5/8"	SR 27'-4 5/8"	SR 16'-9"
SL 28'-10 3/8"	SL 19'-0 7/8"	SL 23'-3 1/4"	SL 8'-6 1/4"
DR 11'-4 3/4"	DR 22'-8 3/4"	DR 15'-7 5/8"	DR 25'-1 1/2"
DL 16'-1 7/8"	DL 25'-5 3/8"	DL 11'-0 7/8"	DL 22'-6 7/8"



0' 5' 10'
SCALE

NOTICE

SWIMMING POOLS AND ACCESSORIES (INCLUDING DIVING BOARDS) ARE DANGEROUS WHEN IMPROPERLY USED OR INSTALLED. IT IS THE RESPONSIBILITY OF MUNICIPAL OFFICIALS, BUILDERS AND POOL OWNERS TO ADHERE TO ALL SAFETY RECOMMENDATIONS AND STANDARDS ISSUED BY THE POOL & HOT TUB COUNCIL, LOCAL AUTHORITIES AND EQUIPMENT MANUFACTURERS. PLEASE REFER TO DIVING BOARD MANUFACTURERS FOR CORRECT POSITIONING AND INSTALLATION OF DIVING EQUIPMENT.

HIGHBURY POOLS LTD

WASAGA - RIGHT 18 x 32

DRAWING REFERENCE #
94-18-32-2

DRAWN BY: BC
REV. 07 FEB 2007
SHEET 2 OF 2