

MISCELLANEOUS INFORMATION

PERIMETER:	79'3"
SURFACE AREA:	392 SQ FT
VOLUME:	9300 IMP GALS 42315 LITER

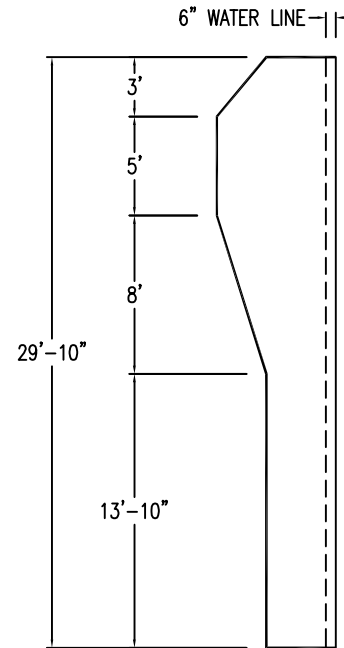
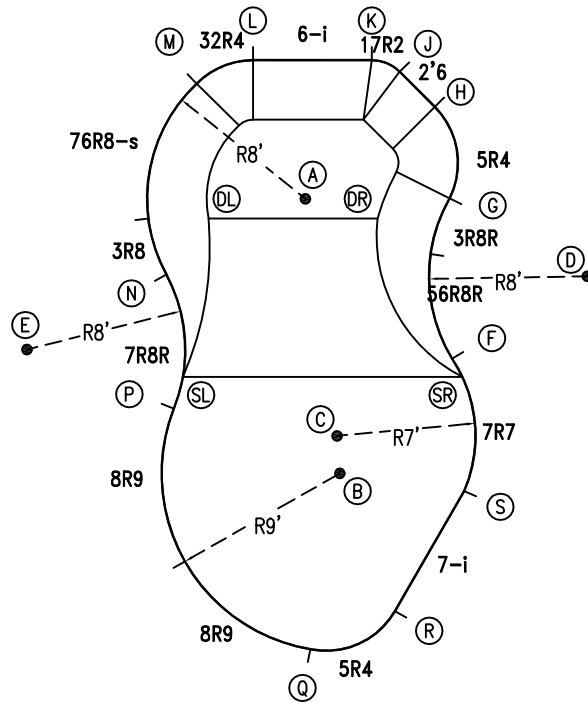
CONCRETE DECK INFO

WIDTH	AREA	NET INCREASES FOR:			
		STEPS	DIVING	SLIDE	ROLLER
2'	171	13	27	24	10
2'6"	217	17	31	20	10
3'	266	20	36	16	10

All Figures Represent "Sq Ft"

PARTS LIST

CODE	QTY	DESCRIPTION
5R4	2	5' Plain x 4' Radius
3R8R	1	3' Plain x 8' Reverse Radius
56R8R	1	5'6" Plain x 8' Reverse Radius
7R7	1	7' Plain x 7' Radius
7-i	1	7' Return
8R9	2	8' Plain x 9' Radius
7R8R	1	7' Plain x 8' Reverse Radius
3R8	1	3' Plain x 8' Radius
76R8-s	1	7'6" Skimmer x 8' Radius
32R4	1	3'2" Plain x 4' Radius
6-i	1	6' Return
17R2	1	1'7" Plain x 2' Radius
2'6	1	2'6" Plain
AF	15	A-Frame
S	30	Stakes
NB	90	Nuts & Bolts

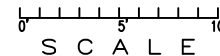


INSTALLATION DATA

From Point "A" to:-		From Point "B" to:-	
B	13'-11 3/4"	B	1'-10 3/4"
C	12'-0 3/4"	C	15'-11 3/4"
D	14'-9 1/4"	D	17'-0"
E	16'-0"	E	8'-1 1/4"
F	10'-11 1/2"	F	14'-11 1/2"
G	7'-3 1/4"	G	19'-1 1/2"
H	8'-0 1/4"	H	20'-6"
J	7'-11 3/4"	J	20'-11 1/4"
K	7'-9"	K	21'-3 3/4"
L	7'-5 3/4"	L	9'-0"
M	8'-0"	M	7'-5 3/4"
N	8'-0"	N	6'-4"
P	12'-6"	P	9'-3 1/2"
Q	22'-9"	Q	7'-10 1/2"
R	21'-3 3/4"	R	14'-5 3/4"
S	16'-9 1/2"	S	13'-0"
SL	10'-11"	SL	
SR	11'-11 3/4"	SR	
DL	5'-0"	DL	
DR	3'-9 1/4"	DR	

16'-7"

*ALL DIMENSIONS ARE FINISHED



NOTICE

SWIMMING POOLS AND ACCESSORIES (INCLUDING DIVING BOARDS) ARE DANGEROUS WHEN IMPROPERLY USED OR INSTALLED. IT IS THE RESPONSIBILITY OF MUNICIPAL OFFICIALS, BUILDERS AND POOL OWNERS TO ADHERE TO ALL SAFETY RECOMMENDATIONS AND STANDARDS ISSUED BY THE POOL & HOT TUB COUNCIL, LOCAL AUTHORITIES AND EQUIPMENT MANUFACTURERS. PLEASE REFER TO DIVING BOARD MANUFACTURERS FOR CORRECT POSITIONING AND INSTALLATION OF DIVING EQUIPMENT.

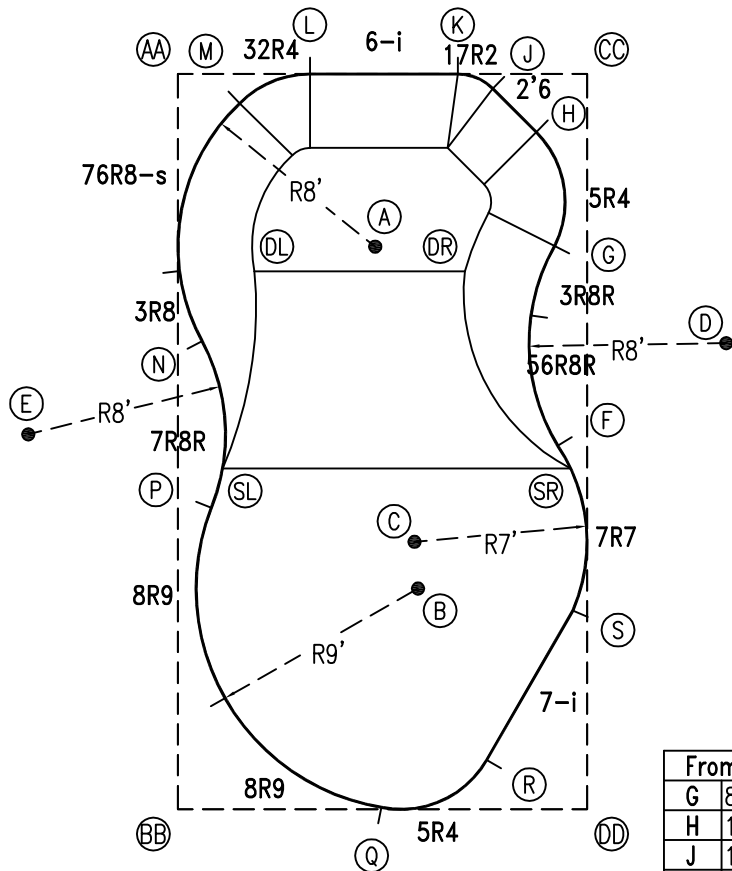
HIGHBURY POOLS LTD

CORAL - RIGHT 16 x 17 x 30

DRAWING REFERENCE #
7A-16-30-2

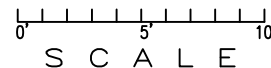
DRAWN BY: JK
REV. 20 JUN 13
SHEET 1 OF 2

PERIMETER: 79'3"



DIAGONALS

From Point "F" to:-		From Point "G" to:-	
G	8'-1 1/4"	G	
H	12'-9 1/8"	H	4'-8 1/8"
J	14'-8 3/4"	J	6'-10 3/8"
K	15'-7 3/8"	K	8'-0"
L	18'-1 1/2"	L	12'-1 5/8"
M	18'-11 1/2"	M	14'-0 1/4"
N	15'-0 1/2"	N	14'-9 3/4"
P	14'-3 3/8"	P	17'-6 1/4"
Q	16'-3 7/8"	Q	23'-10"
R	13'-0 7/8"	R	21'-0 1/2"
S	6'-8 1/2"	S	14'-9 3/4"



EXTERNAL INSTALLATION DATA

AA TO:	BB TO:	CC TO:	DD TO:
AA ---	AA 29'-9 3/4"	AA 16'-7"	AA 34'-1 1/2"
BB ---	BB ---	BB 34'-1 1/2"	BB 16'-7"
CC ---	CC ---	CC ---	CC 29'-9 3/4"
A 10'-7 1/2"	A 24'-2 1/4"	A 11'-1"	A 24'-4 3/4"
B 23'-0 1/4"	B 13'-2 3/4"	B 21'-11 1/2"	B 11'-3 1/4"
C 21'-3"	C 14'-5 3/4"	C 20'-2 3/4"	C 12'-10 3/4"
D 24'-9 1/4"	D 29'-2 1/4"	D 12'-3 1/2"	D 19'-8 3/4"
E 15'-9 3/4"	E 16'-4 1/2"	E 26'-11 1/2"	E 27'-3 1/2"
F 21'-6 3/4"	F 21'-3 3/4"	F 15'-1 1/2"	F 14'-9 1/2"
G 16'-9 1/2"	G 27'-5 3/4"	G 7'-1"	G 22'-10 3/4"
H 14'-8 1/2"	H 31'-1"	H 3'-1 1/2"	H 27'-6 1/2"
J 12'-9 1/4"	J 31'-10 3/4"	J 3'-10 1/2"	J 29'-5 3/4"
K 11'-4 1/4"	K 31'-11"	K 5'-2 3/4"	K 30'-3 1/2"
L 5'-4 1/4"	L 30'-3 3/4"	L 11'-2 3/4"	L 31'-10 1/2"
M 2'-9 1/4"	M 28'-9"	M 14'-1 1/2"	M 31'-11"
N 10'-10 1/2"	N 19'-0 1/4"	N 19'-0"	N 24'-7"
P 17'-7 3/4"	P 12'-3 3/4"	P 23'-3 1/4"	P 19'-6 1/2"
Q 30'-10 1/2"	Q 8'-3"	Q 30'-10 3/4"	Q 8'-4"
R 30'-6 1/4"	R 12'-8"	R 28'-1 1/2"	R 4'-6 1/2"
S 27'-0 1/4"	S 17'-11 1/4"	S 21'-9 1/4"	S 8'-1"
SL 16'-1 1/4"	SL 13'-11 1/4"	SL 21'-9 1/4"	SL 20'-2 3/4"
SR 22'-6 3/4"	SR 21'-1"	SR 16'-0"	SR 13'-10"
DL 8'-6 3/4"	DL 22'-0 1/2"	DL 15'-8 1/4"	DL 25'-7 3/4"
DR 14'-1 1/2"	DR 24'-8 3/4"	DR 9'-4 3/4"	DR 22'-4 1/2"

NOTICE

SWIMMING POOLS AND ACCESSORIES (INCLUDING DIVING BOARDS) ARE DANGEROUS WHEN IMPROPERLY USED OR INSTALLED. IT IS THE RESPONSIBILITY OF MUNICIPAL OFFICIALS, BUILDERS AND POOL OWNERS TO ADHERE TO ALL SAFETY RECOMMENDATIONS AND STANDARDS ISSUED BY THE POOL & HOT TUB COUNCIL, LOCAL AUTHORITIES AND EQUIPMENT MANUFACTURERS. PLEASE REFER TO DIVING BOARD MANUFACTURERS FOR CORRECT POSITIONING AND INSTALLATION OF DIVING EQUIPMENT.

HIGHBURY POOLS LTD

CORAL - RIGHT 16 x 17 x 30

DRAWING REFERENCE #
7A-16-30-2

DRAWN BY: JK
REV. 20 JUN 13
SHEET 2 OF 2