

MISCELLANEOUS INFORMATION

PERIMETER:	96'7"
SURFACE AREA:	541 SQ FT
VOLUME:	15461 IMP GALS 70348 LITER

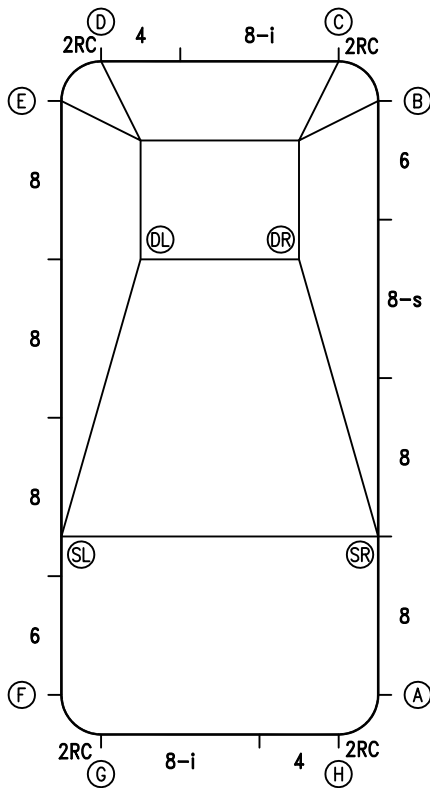
PARTS LIST

CODE	QTY	DESCRIPTION
2RC	4	3'2" Plain x 2' Rad Cnr
8	5	8' Plain
8-s	1	8' Skimmer
6	2	6' Plain
8-i	2	8' Return
4	2	4' Plain
AF	16	A-Frame
S	32	Stakes
NB	96	Nuts & Bolts

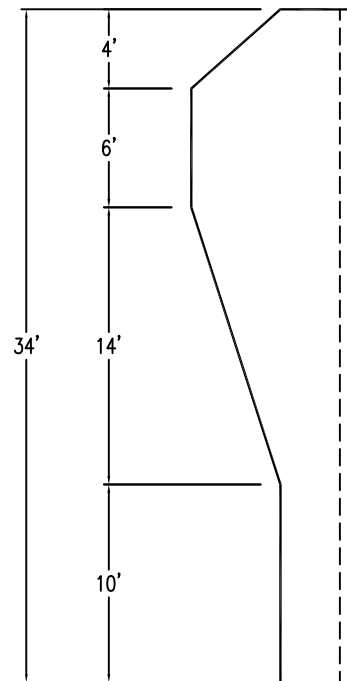
CONCRETE DECK INFO

WIDTH	AREA	NET INCREASES FOR:			
		STEPS	DIVING	SLIDE	ROLLER
2'	205	13	27	24	10
2'6"	261	17	31	20	10
3'	318	20	36	16	10

All Figures Represent "Sq Ft"

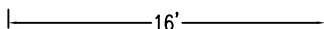


6" WATER LINE

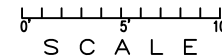


INSTALLATION DATA

From Point "A" to:-		From Point "B" to:-	
B	30'-0"	B	2'-9 3/4"
C	32'-0 3/4"	C	14'-1 3/4"
D	34'-11"	D	14'-0"
E	34'-0"	E	34'-0"
F	16'-0"	F	34'-11"
G	14'-1 3/4"	G	32'-0 3/4"
H	2'-9 3/4"	H	27'-2 1/4"
SL	17'-10 1/2"	SL	22'-0"
SR	8'-0"	DL	14'-5"
DL	25'-0 3/4"	DR	8'-11 1/4"
DR	22'-4 1/4"		

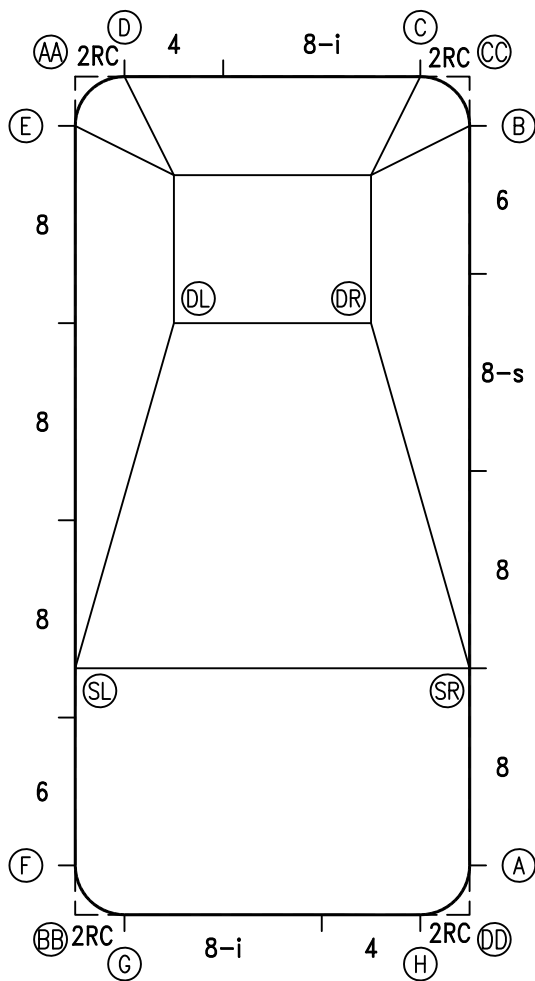


*ALL DIMENSIONS ARE FINISHED



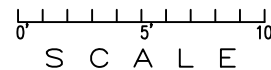
NOTICE

SWIMMING POOLS AND ACCESSORIES (INCLUDING DIVING BOARDS) ARE DANGEROUS WHEN IMPROPERLY USED OR INSTALLED. IT IS THE RESPONSIBILITY OF MUNICIPAL OFFICIALS, BUILDERS AND POOL OWNERS TO ADHERE TO ALL SAFETY RECOMMENDATIONS AND STANDARDS ISSUED BY THE POOL & HOT TUB COUNCIL, LOCAL AUTHORITIES AND EQUIPMENT MANUFACTURERS. PLEASE REFER TO DIVING BOARD MANUFACTURERS FOR CORRECT POSITIONING AND INSTALLATION OF DIVING EQUIPMENT.



EXTERNAL INSTALLATION DATA

AA TO:	BB TO:	CC TO:	DD TO:
AA --	AA 34'-0"	AA 16'-0"	AA 37'-6 3/4"
BB --	BB --	BB 37'-6 3/4"	BB 16'-0"
CC --	CC --	CC --	CC 34'-0"
A 35'-9 1/4"	A 16'-1 1/2"	A 32'-0"	A 2'-0"
B 16'-1 1/2"	B 35'-9 1/4"	B 2'-0"	B 32'-0"
C 14'-0"	C 36'-9 1/4"	C 2'-0"	C 34'-0 3/4"
D 2'-0"	D 34'-0 3/4"	D 14'-0"	D 36'-9 1/4"
E 2'-0"	E 32'-0"	E 16'-1 1/2"	E 35'-9 1/4"
F 32'-0"	F 2'-0"	F 35'-9 1/4"	F 16'-1 1/2"
G 34'-0 3/4"	G 2'-0"	G 36'-9 1/4"	G 14'-0"
H 36'-9 1/4"	H 14'-0"	H 34'-0 3/4"	H 2'-0"
SL 24'-0"	SL 10'-0"	SL 28'-10"	SL 18'-10 1/4"
SR 28'-10"	SR 18'-10 1/4"	SR 24'-0"	SR 10'-0"
DL 10'-9 1/4"	DL 24'-3 3/4"	DL 15'-7 1/2"	DL 26'-9 3/4"
DR 15'-7 1/2"	DR 26'-9 3/4"	DR 10'-9 1/4"	DR 24'-3 3/4"



NOTICE

SWIMMING POOLS AND ACCESSORIES (INCLUDING DIVING BOARDS) ARE DANGEROUS WHEN IMPROPERLY USED OR INSTALLED. IT IS THE RESPONSIBILITY OF MUNICIPAL OFFICIALS, BUILDERS AND POOL OWNERS TO ADHERE TO ALL SAFETY RECOMMENDATIONS AND STANDARDS ISSUED BY THE POOL & HOT TUB COUNCIL, LOCAL AUTHORITIES AND EQUIPMENT MANUFACTURERS. PLEASE REFER TO DIVING BOARD MANUFACTURERS FOR CORRECT POSITIONING AND INSTALLATION OF DIVING EQUIPMENT.

HIGHBURY POOLS LTD

RECTANGLE - 16 x 34

DRAWING REFERENCE #
65-16-34-1

DRAWN BY: JK
REV. 1 AUG 13
SHEET 2 OF 2