

**MISCELLANEOUS INFORMATION**

PERIMETER:	76'
SURFACE AREA:	347 SQ FT
VOLUME:	9369 IMP GALS 42629 LITER

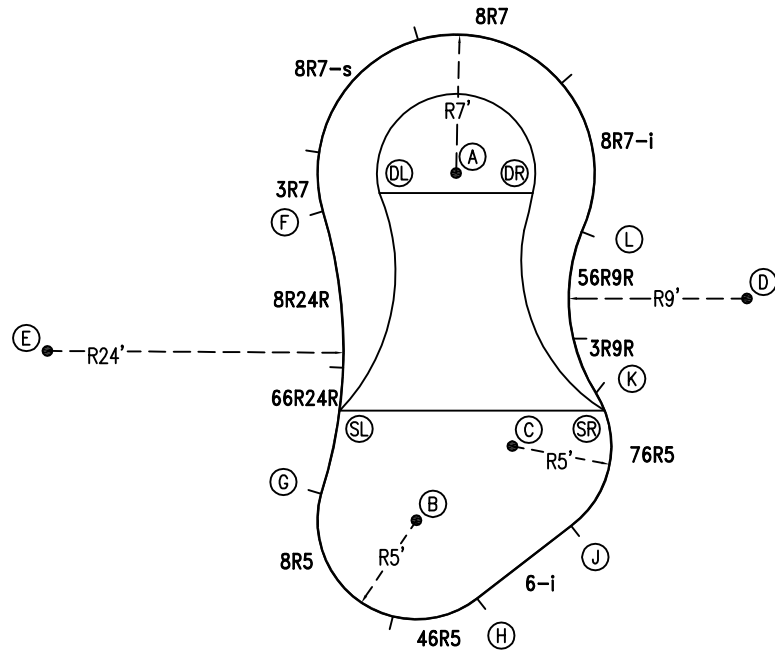
**CONCRETE DECK INFO**

WIDTH	AREA	NET INCREASES FOR:			
		STEPS	DIVING	SLIDE	ROLLER
2'	165	13	27	24	10
2'6"	210	17	31	20	10
3'	256	20	36	16	10

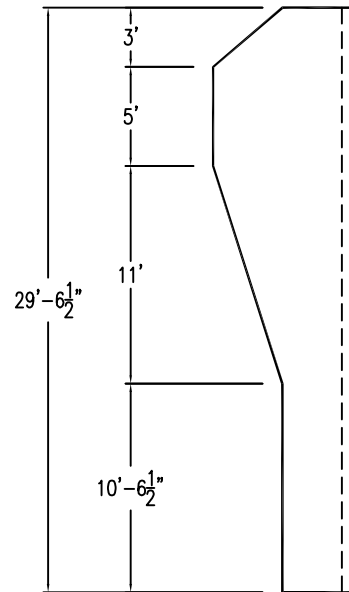
All Figures Represent "Sq Ft"

**PARTS LIST**

CODE	QTY	DESCRIPTION
8R7-i	1	8' Return x 7' Radius
8R7	1	8' Plain x 7' Radius
8R7-s	1	8' Skimmer x 7' Radius
3R7	1	3' Plain x 7' Radius
8R24R	1	8' Plain x 24' Reverse Radius
66R24R	1	6'6" Plain x 24' Reverse Radius
8R5	1	8' Plain x 5' Radius
46R5	1	4'6" Plain x 5' Radius
6-i	1	6' Return
76R5	1	7'6" Plain x 5' Radius
3R9R	1	3' Plain x 9' Reverse Radius
56R9R	1	5'6" Plain x 9' Reverse Radius
AF	12	A-Frame
S	24	Stakes
NB	72	Nuts & Bolts



6" WATER LINE

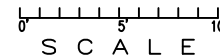


**INSTALLATION DATA**

From Point "A" to:-		From Point "B" to:-	
B	17'-7 3/4"	B	6'-1 1/2"
C	14'-0 3/4"	C	6'-1 1/4"
D	15'-11 3/4"	D	20'-1 1/4"
E	30'-11 3/4"	E	28'-11 3/4"
F	7'-0"	F	16'-3 3/4"
G	17'-6 3/4"	G	5'-0"
H	21'-6 1/4"	H	5'-0"
J	18'-8 3/4"	J	7'-9 3/4"
K	13'-2"	K	11'-1 1/4"
L	7'-0"	L	16'-9 1/2"
SL	13'-4 1/4"	SL	6'-9"
SR	14'-1 3/4"	SR	11'-0"
DL	4'-0"	DL	16'-7 3/4"
DR	4'-0"	DR	17'-6 1/2"

14'-10"

\*ALL DIMENSIONS ARE FINISHED

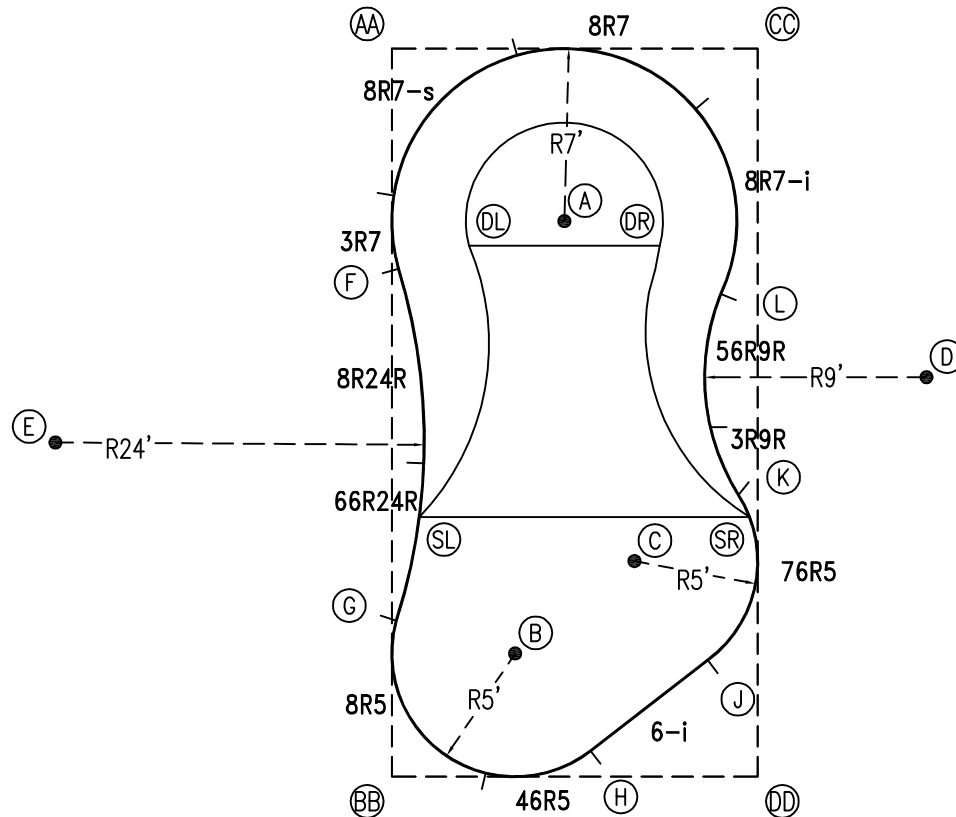


**NOTICE**

SWIMMING POOLS AND ACCESSORIES (INCLUDING DIVING BOARDS) ARE DANGEROUS WHEN IMPROPERLY USED OR INSTALLED. IT IS THE RESPONSIBILITY OF MUNICIPAL OFFICIALS, BUILDERS AND POOL OWNERS TO ADHERE TO ALL SAFETY RECOMMENDATIONS AND STANDARDS ISSUED BY THE POOL & HOT TUB COUNCIL, LOCAL AUTHORITIES AND EQUIPMENT MANUFACTURERS. PLEASE REFER TO DIVING BOARD MANUFACTURERS FOR CORRECT POSITIONING AND INSTALLATION OF DIVING EQUIPMENT.

EXTERNAL INSTALLATION DATA

AA TO:	BB TO:	CC TO:	DD TO:
AA ---	AA 29'-6 1/2"	AA 14'-10"	AA 33'-0 1/2"
BB ---	BB ---	BB 33'-0 1/2"	BB 14'-10"
CC ---	CC ---	CC ---	CC 29'-6 1/2"
A 9'-10 3/4"	A 23'-7 1/4"	A 10'-6"	A 23'-10 1/4"
B 25'-0 1/2"	B 7'-0 3/4"	B 26'-5 1/4"	B 11'-0 1/2"
C 23'-0"	C 13'-2"	C 21'-4 1/2"	C 10'-0 3/4"
D 25'-5 1/2"	D 27'-0 3/4"	D 14'-11 3/4"	D 17'-7"
E 27'-8 1/2"	E 26'-5 1/4"	E 40'-9"	E 39'-10 3/4"
F 8'-11 1/4"	F 20'-7 1/4"	F 17'-1"	F 25'-2 3/4"
G 23'-2 1/2"	G 6'-4"	G 27'-5 1/4"	G 15'-11 1/2"
H 29'-7 1/4"	H 8'-1 1/2"	H 29'-3 1/4"	H 6'-10 1/4"
J 27'-11"	J 13'-7 3/4"	J 24'-10 3/4"	J 5'-1 3/4"
K 22'-11 1/4"	K 18'-1 1/4"	K 18'-1 1/2"	K 11'-5 1/4"
L 16'-7 3/4"	L 23'-8 1/4"	L 10'-0 3/4"	L 19'-7 1/2"
SL 19'-0 1/4"	SL 10'-7"	SL 23'-5 1/4"	SL 17'-3 1/2"
SR 23'-10 3/4"	SR 17'-11 1/4"	SR 19'-0"	SR 10'-6 1/2"
DL 8'-7"	DL 21'-9"	DL 14'-2 1/4"	DL 24'-6 1/4"
DR 13'-5 3/4"	DR 24'-1 1/2"	DR 8'-11"	DR 21'-10 3/4"



DIAGONALS

From Point "F" to:-	From Point "G" to:-
G 14'-3 3/8"	G
H 21'-0 5/8"	H 9'-5 7/8"
J 20'-2 7/8"	J 12'-8 3/4"
K 16'-6 7/8"	K 14'-9 1/2"
L 13'-1 3/8"	L 18'-8 1/8"

NOTICE

SWIMMING POOLS AND ACCESSORIES (INCLUDING DIVING BOARDS) ARE DANGEROUS WHEN IMPROPERLY USED OR INSTALLED. IT IS THE RESPONSIBILITY OF MUNICIPAL OFFICIALS, BUILDERS AND POOL OWNERS TO ADHERE TO ALL SAFETY RECOMMENDATIONS AND STANDARDS ISSUED BY THE POOL & HOT TUB COUNCIL, LOCAL AUTHORITIES AND EQUIPMENT MANUFACTURERS. PLEASE REFER TO DIVING BOARD MANUFACTURERS FOR CORRECT POSITIONING AND INSTALLATION OF DIVING EQUIPMENT.

